

# XETIS

- Puristic, uniform surface with no distracting elements
- Barrier-free access thanks to floor integration
- Protection against moisture penetration because of the joint-free surface
- Integrated slope ensures perfect water drainage
- Assembly-friendly system solution – all components are perfectly compatible with one another
- made of KALDEWEI steel enamel
- only for floor-level installation



Similar illustration

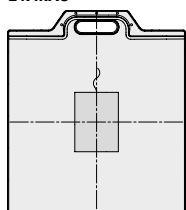
	Combined Tray & Waste depth	Waste fitting depth
KA 200	112	87

See page 291.

**For installing the XETIS system solution a Central Support System is necessary. The number and position can be seen on the following arrays.**

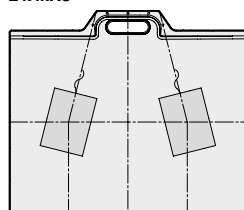
**Number and positioning:**

**1 x MAS**



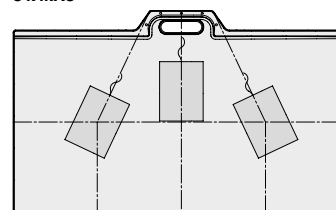
**885** 90 x 90  
**886** 100 x 100

**2 x MAS**



**887** 80 x 120  
**888** 90 x 120  
**889** 100 x 120  
**890** 120 x 120

**3 x MAS**



**891** 80 x 140  
**892** 90 x 140  
**893** 100 x 140  
**894** 90 x 170  
**895** 100 x 170  
**896** 90 x 180  
**897** 100 x 180

Model No.		<b>891</b>	<b>892</b>	<b>893</b>	<b>894</b>	<b>895</b>	<b>896</b>	<b>897</b>
External length (nominal)	a	800	900	1000	900	1000	900	1000 mm
External width (nominal)	b	1400	1400	1400	1700	1700	1800	1800 mm
External length	a <sub>1</sub> ; a <sub>2</sub>	930; 830	1030; 930	1130; 1030	1030; 930	1130; 1030	1030; 930	1130; 1030 mm
External width	b <sub>1</sub> ; b <sub>2</sub>	460; 320	460; 320	460; 320	460; 320	460; 320	460; 320	460; 320 mm
Height with siphon	g	112	112	112	112	112	112	112 mm
Height of rim	i	45	45	45	45	45	45	45 mm
Distance bath edge to centre of drain hole	k	85	85	85	85	85	85	85 mm
Siphon connection height	l	74	74	74	74	74	74	74 mm
Diameter of drain hole	m <sub>1</sub> ; m <sub>2</sub>	205; 55	205; 55	205; 55	205; 55	205; 55	205; 55	205; 55 mm
Weight of the enamelled shower tray in kg		32	35	38	42	45	43	48
Anti-slip		540 x 828	540 x 828	540 x 828	540 x 1020	540 x 1020	540 x 1020	540 x 1020 mm
Full anti-slip		740 x 1316	836 x 1316	932 x 1316	836 x 1652	932 x 1652	836 x 1748	932 x 1748 mm
SECURE PLUS		all-over	all-over	all-over	all-over	all-over	all-over	all-over



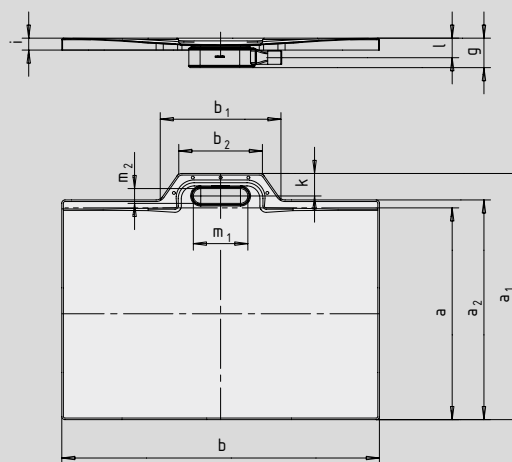
The TÜV Rheinland confirms the following properties of KALDEWEI's anti-slip, full anti-slip and SECURE PLUS finish:

- Assessment group **B** for wet barefoot areas (**DIN 51097**)
- Assessment group **R 10** for slip-resistant properties in work rooms and areas with an increased risk of slipping (**DIN 51130**)

Subject to technical alterations, tolerances and errors. Similar illustration.

**KALDEWEI**

Model 891



**SECURE<sup>+</sup>**