

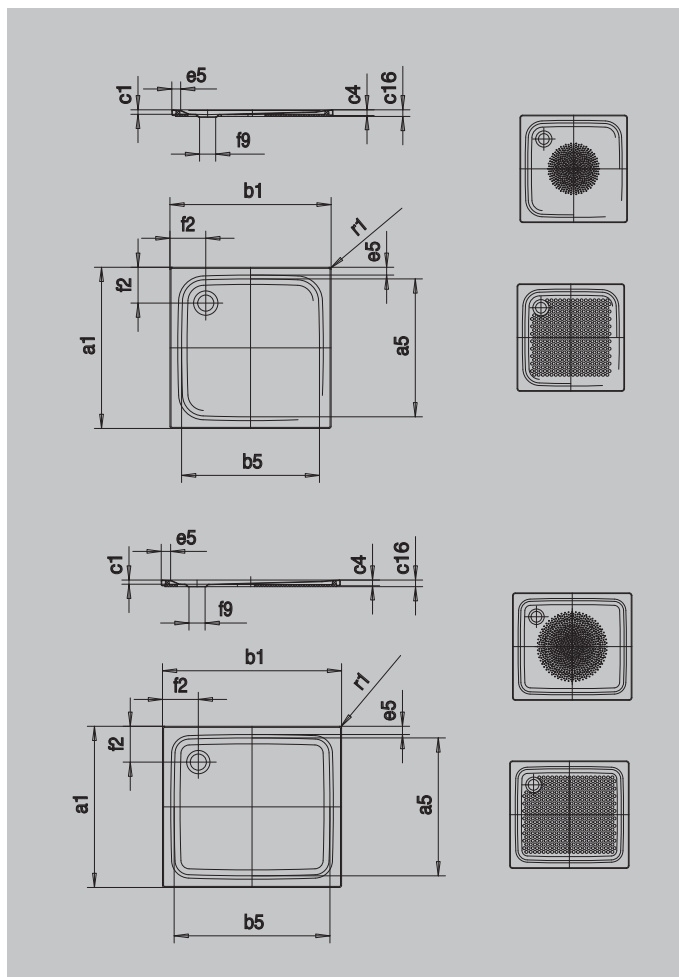
SUPERPLAN WITH LOW PROFILE SUPPORT

- exclusive, elegant design
- made of KALDEWEI steel enamel
- flush-fitting recessed waste cover (only in combination with the KA 90 waste fittings)



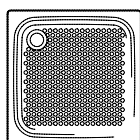
Similar illustration

	Combined Tray & Waste depth	Waste fitting depth
KA 90	105	81
KA 90 extra flat	94	70
KA 90 ultra flat	85	61
KA 90 vertical	49	81



SECURE^[+]

Model		405	401
External length	a ₁	900	700 mm
Internal length	a ₅	790	590 mm
External width	b ₁	1100	1200 mm
Internal width	b ₅	990	1090 mm
Internal depth	c ₁	25	25 mm
Height of rim	c ₄	32	32 mm
Height with low profile support	c ₁₆	37	37 mm
Width of rim	e ₅ ; e ₁₀	50; 50	50; 50 mm
Distance bath edge to centre of drain hole	f ₂ ; f ₃	200; 200	200; 200 mm
Diameter of drain hole	f ₉	Ø 90	Ø 90 mm
External radius	r ₁	12	12 mm
Weight of the enamelled shower tray		25	23 kg
Anti-slip		Ø 588	Ø 435 mm
Full anti-slip		649 x 853	461 x 997 mm
SECURE PLUS		all-over	all-over



The TÜV Rheinland confirms the following properties of KALDEWEI's anti-slip, full anti-slip and SECURE PLUS finish:

- Assessment group **B** for wet barefoot areas (**DIN 51097**)
- Assessment group **R 10** for slip-resistant properties in work rooms and areas with an increased risk of slipping (**DIN 51130**)

All SUPERPLAN models are available either with anti-slip, full anti-slip or SECURE PLUS.

Model 399 with full anti-slip or SECURE PLUS fits DIN barrier-free 18040-2.