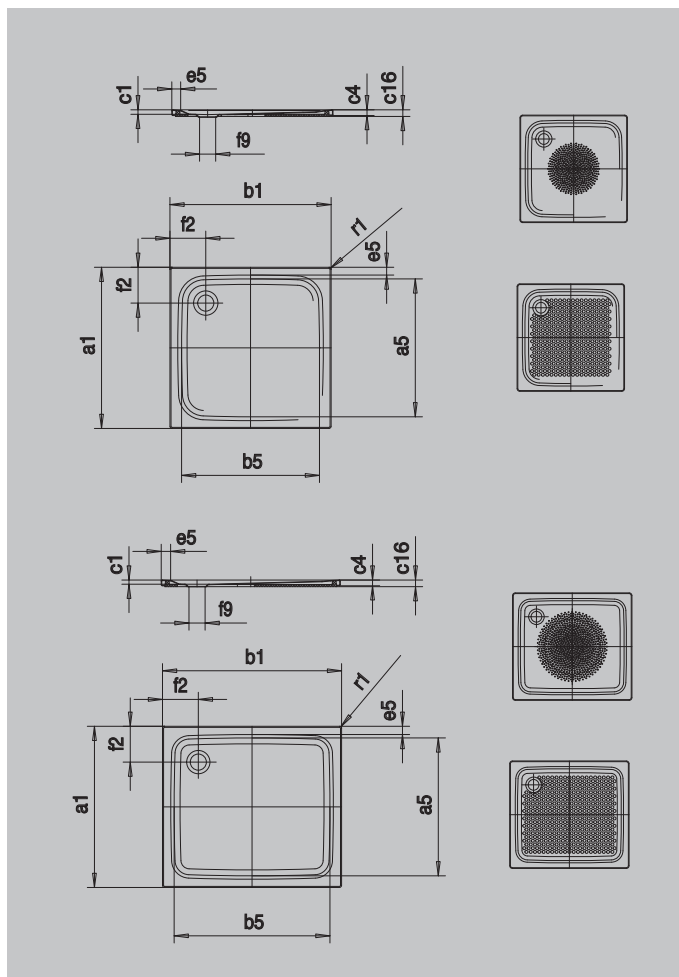


SUPERPLAN WITH LOW PROFILE SUPPORT

- exclusive, elegant design
- with a depth of 2,5 cm, extremely flat and ideally suited for floor level installation
- made of KALDEWEI steel enamel
- flush-fitting recessed waste cover (only in combination with the KA 90 waste fittings)
- model 399 with full anti-slip conforms to DIN-barrier-free 18025-2



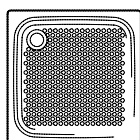
Similar illustration



	Combined Tray & Waste depth	Waste fitting depth
KA 90	105	81
KA 90 extra flat	94	70
KA 90 ultra flat	85	61
KA 90 vertical	49	81

SECURE^[+]

Model		407	399
External length	a ₁	1000	1200 mm
Internal length	a ₅	890	1070 mm
External width	b ₁	1200	1200 mm
Internal width	b ₅	1090	1070 mm
Internal depth	c ₁	25	25 mm
Height of rim	c ₄	32	32 mm
Height with low profile support	c ₁₆	37	37 mm
Width of rim	e ₅ ; e ₁₀	50; 50	50; 50 mm
Distance bath edge to centre of drain hole	f ₂ ; f ₃	200; 200	200; 200 mm
Diameter of drain hole	f ₉	Ø 90	Ø 90 mm
External radius	r ₁	12	12 mm
Weight of the enamelled shower tray		31	37 kg
Anti-slip		Ø 588	Ø 588 mm
Full anti-slip		773 x 997	1060 x 1105 mm
SECURE PLUS		all-over	all-over



The TÜV Rheinland confirms the following properties of KALDEWEI's anti-slip, full anti-slip and SECURE PLUS finish:

- Assessment group **B** for wet barefoot areas (**DIN 51097**)
- Assessment group **R 10** for slip-resistant properties in work rooms and areas with an increased risk of slipping (**DIN 51130**)

All SUPERPLAN models are available either with anti-slip, full anti-slip or SECURE PLUS.

Model 399 with full anti-slip or SECURE PLUS fits DIN barrier-free 18040-2.