

SUPERPLAN WITH LOW PROFILE SUPPORT

- System solution comprising shower tray and installation system in SUPERPLAN design
- Time and resulting cost savings due to easy installation
- suitable for almost any installation situation
- flush-fitting recessed waste cover (only in combination with the KA 90 waste fittings)
- made of KALDEWEI steel enamel

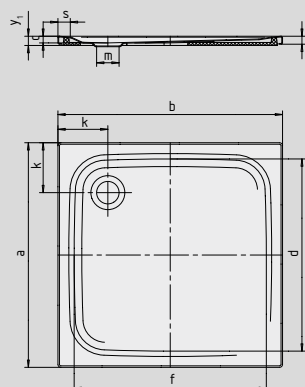


Similar illustration

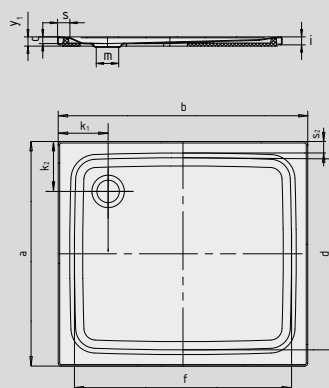
	Combined Tray & Waste depth	Waste fitting depth
KA 90	105	81
KA 90 extra flat	94	70
KA 90 ultra flat	85	61
KA 90 vertical	49	81

See page 291.

Model 390-5 with low profile support

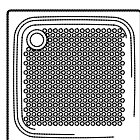


Model 404-5 with low profile support



SECURE⁺

Model No.		386-5	390-5	398-5	404-5	391-5	389-5	406-5
External length	a	800	900	800	900	1000	800	900 mm
External width	b	800	900	1000	1000	1000	1200	1200 mm
Depth	c	25	25	25	25	25	25	25 mm
Internal length	d	690	790	700	790	870	700	790 mm
Internal width	f	690	790	900	890	870	1100	1090 mm
Height of rim	i	32	32	32	32	32	32	32 mm
Distance bath edge to centre of drain hole	k ₁ ; k ₂	200	200	200	200	200	200	200 mm
Diameter of drain hole	m	90	90	90	90	90	90	90 mm
Width of rim	s	50	50	50	50	50	50	50 mm
Height with support	y ₁	37	37	37	37	37	37	37 mm
Weight of the enamelled shower tray in kg		18	22	21	24	27	25	29
Anti-slip		∅ 435	∅ 435	∅ 435	∅ 588	∅ 588	∅ 588	∅ 588 mm
Full anti-slip		586 x 565	648 x 673	586 x 781	649 x 781	733 x 781	586 x 996	649 x 997 mm
SECURE PLUS		all-over	all-over	all-over	all-over	all-over	all-over	all-over



The TÜV Rheinland confirms the following properties of KALDEWEI's anti-slip, full anti-slip and SECURE PLUS finish:

- Assessment group **B** for wet barefoot areas (**DIN 51097**)
- Assessment group **R 10** for slip-resistant properties in work rooms and areas with an increased risk of slipping (**DIN 51130**)

All SUPERPLAN models are available either with anti-slip, full anti-slip or SECURE PLUS.

Model 399 with full anti-slip or SECURE PLUS fits DIN barrier-free 18040-2.