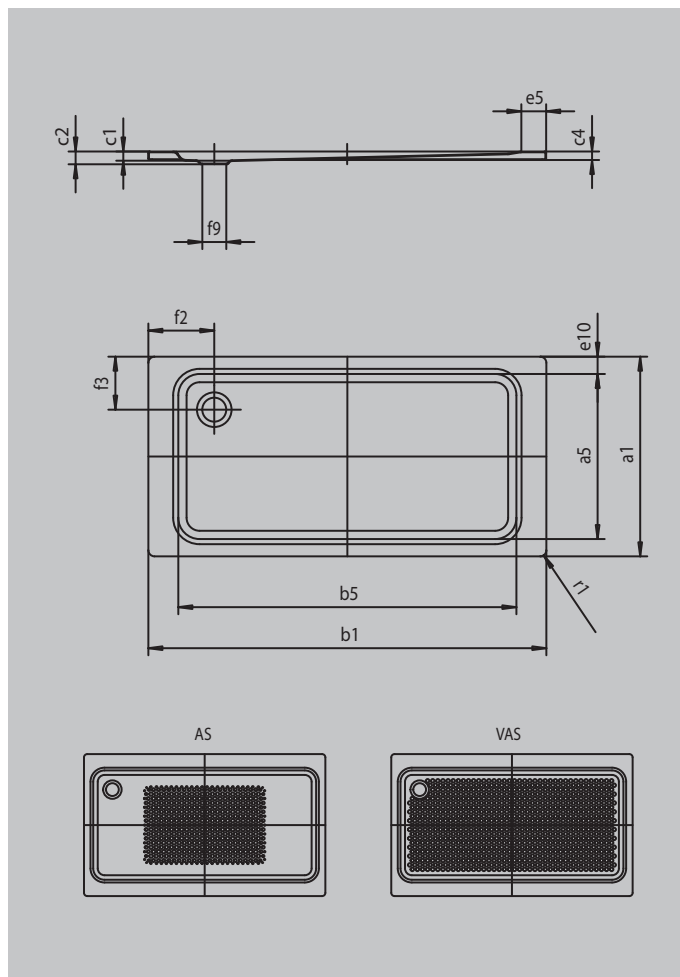


SUPERPLAN XXL

- exclusive, elegant design
- generous dimensions ideal for showering with a friend
- shallow depth ideal for floor level installation and guarantees easy access
- made of KALDEWEI steel enamel
- flush-fitting recessed waste cover
(only in combination with the KA 90 waste fittings)

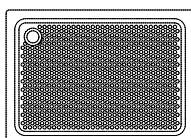


SECURE⁺

Similar illustration

	Combined Tray & Waste depth	Waste fitting depth
Modell	456	456
KA 90	129	81
KA 90 extra flat	118	70
KA 90 ultra flat	49	81
KA 90 vertical	109	61

Model		456
External length	a_1	800 mm
Internal length	a_5	690 mm
External width	b_1	1700 mm
Internal width	b_5	1590 mm
Internal depth	c_1	47 mm
Height of rim	c_4	32 mm
Width of rim	$e_5; e_{10}$	50; 50 mm
Diameter of drain hole	f_9	Ø 90 mm
Distance bath edge to centre of drain hole	$f_2; f_3$	200; 200 mm
External radius	r_1	12 mm
Weight of the enamelled shower tray		36 kg
Anti-slip		300 x 856 mm
Full anti-slip		586 x 1456 mm
SECURE PLUS		all-over



The TÜV Rheinland confirms the following properties of KALDEWEI's anti-slip and full anti-slip finish:

- Assessment group **B** for wet barefoot areas (**DIN 51097**)
- Assessment group **R 10** for slip-resistant properties in work rooms and areas with an increased risk of slipping (**DIN 51130**)