

SUPERPLAN PLUS

- elegant, puristic design
- can be installed to be absolutely flush with the floor
- Total height (g) with horizontal waste fitting: 109 mm; fitting height incl. cover 83 mm (compared to tiled shower areas)
- maximum standing comfort thanks to the flat enamelled waste cover that is set flush in the shower tray
- made of KALDEWEI steel enamel
- drainage capacity KA 125: 0,85 l/s
- drainage capacity KA 125 vertical: 1,4 l/s

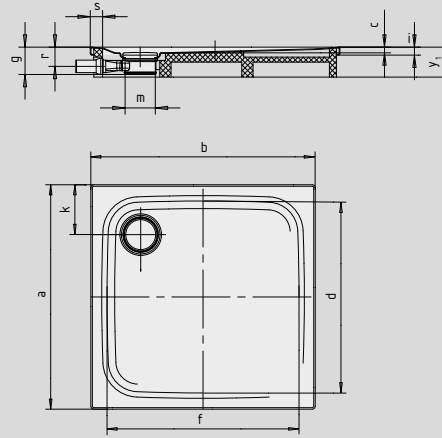


Similar illustration

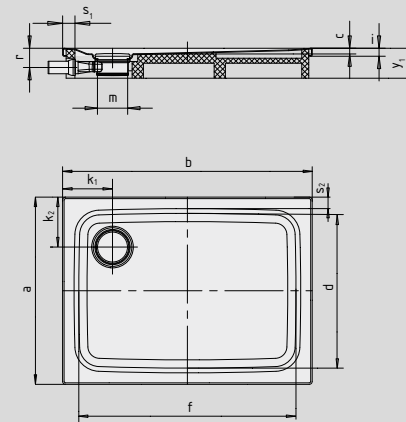
	Combined Tray & Waste depth	Waste fitting depth
KA 125	109	83
KA 125 vertical	49	83

See page 291.

Model 475 with support

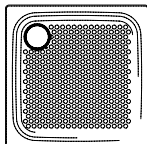


Model 476 with support



SECURE⁺

Model No.		469	475	476	477
External length	a	800	900	750	800 mm
External width	b	800	900	1000	1000 mm
Depth	c	25	25	25	25 mm
Internal length	d	690	790	640	700 mm
Internal width	f	690	790	890	900 mm
Height with siphon	g	109	109	109	109 mm
Height of rim	i	32	32	32	32 mm
Distance bath edge to centre of drain hole	k ₁ ; k ₂	200	200	200	200 mm
Diameter of drain hole	m	120	120	120	120 mm
Siphon connection height	l	78	78	78	78 mm
Width of rim	s	50	50	50	50 mm
Height with support	y ₁	120	120	120	120 mm
Weight of the enamelled shower tray in kg		18	22	20	21
Anti-slip		Ø 435	Ø 435	Ø 435	Ø 435 mm
Full anti-slip		568 x 565	649 x 673	533 x 781	586 x 781 mm
SECURE PLUS		all-over	all-over	all-over	all-over



The TÜV Rheinland confirms the following properties of KALDEWEI's anti-slip, full anti-slip and SECURE PLUS finish:

- Assessment group **B** for wet barefoot areas (**DIN 51097**)
- Assessment group **R 10** for slip-resistant properties in work rooms and areas with an increased risk of slipping (**DIN 51130**)

All SUPERPLAN PLUS models are available either with anti-slip, full anti-slip or SECURE PLUS.

Model 486 with SECURE PLUS or Full anti-slip fits DIN barrier-free 18040-2.

Model 494 with SECURE PLUS or Full anti-slip fits DIN barrier-free 18040-1 and 18040-2.