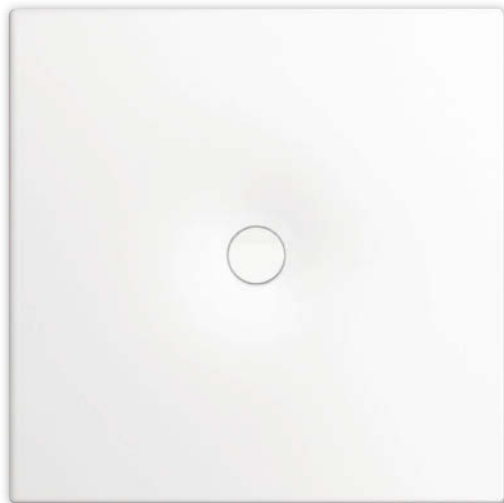


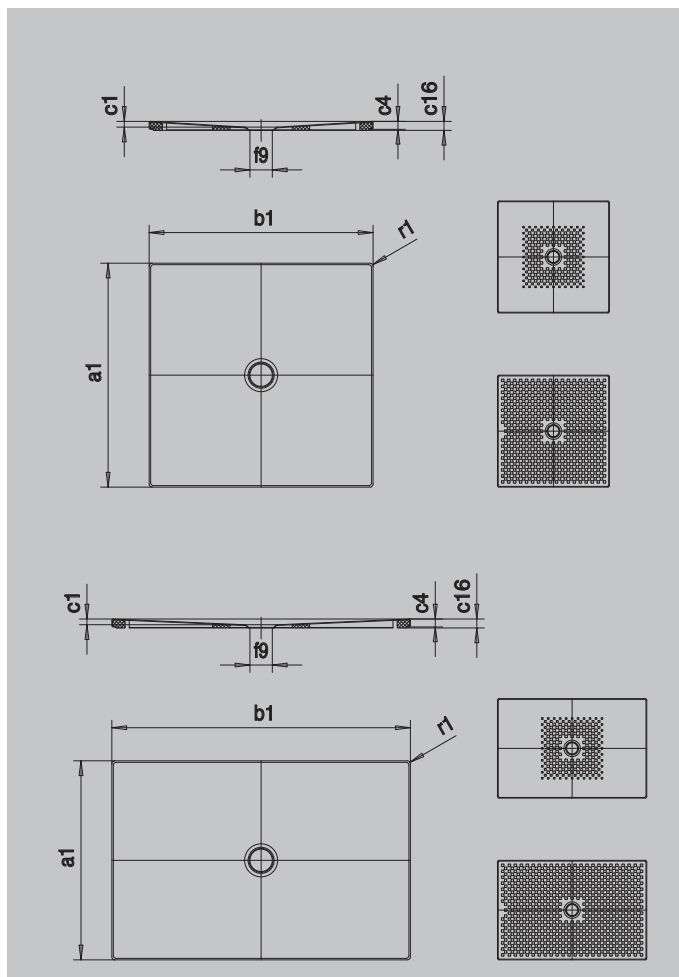
# SCONA WITH LOW PROFILE SUPPORT

- harmonious design with centrally-placed waste
- also available in the shades of the Coordinated Colours Collection
- made of KALDEWEI steel enamel
- flush-fitting recessed waste cover (only in combination with the KA 90 waste fittings)



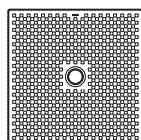
Similar illustration

	Combined Tray & Waste depth	Waste fitting depth
KA 90	103	81
KA 90 extra flat	92	70
KA 90 ultra flat	83	61
KA 90 vertical	49	81



SECURE<sup>[+]</sup>

Model	978	979	982	983	984	985	986	987	988	
External length	a <sub>1</sub>	700	750	800	900	1000	700	750	800	900 mm
External width	b <sub>1</sub>	1500	1500	1500	1500	1500	1600	1600	1600	1600 mm
Internal depth	c <sub>1</sub>	23	23	23	23	23	23	23	23	23 mm
Height of rim	c <sub>4</sub>	32	32	32	32	32	32	32	32	32 mm
Height with low profile support	c <sub>16</sub>	37	37	37	37	37	37	37	37	37 mm
Diameter of drain hole	f <sub>9</sub>	90	90	90	90	90	90	90	90	90 mm
External radius	r <sub>1</sub>	12	12	12	12	12	12	12	12	12 mm
Weight of the enamelled shower tray		28	31	33	35	38	28	30	35	36 kg
Anti-slip		492 x 492	492 x 492	492 x 492	492 x 492	492 x 492	492 x 492	492 x 492	492 x 492	492 x 492 mm
Full anti-slip		644 x 1412	692 x 1412	740 x 1412	836 x 1412	932 x 1412	644 x 1508	692 x 1556	740 x 1556	836 x 1556 mm
SECURE PLUS		all-over	all-over	all-over	all-over	all-over	all-over	all-over	all-over	all-over



The TÜV Rheinland confirms the following properties of KALDEWEI's anti-slip, full anti-slip and SECURE PLUS finish:

- Assessment group **B** for wet barefoot areas (**DIN 51097**)
- Assessment group **R 10** for slip-resistant properties in work rooms and areas with an increased risk of slipping (**DIN 51130**)

All SCONA models are available either with anti-slip, full anti-slip or SECURE PLUS.

Model 968 with full anti-slip or SECURE PLUS fits DIN barrier-free 18040-2.