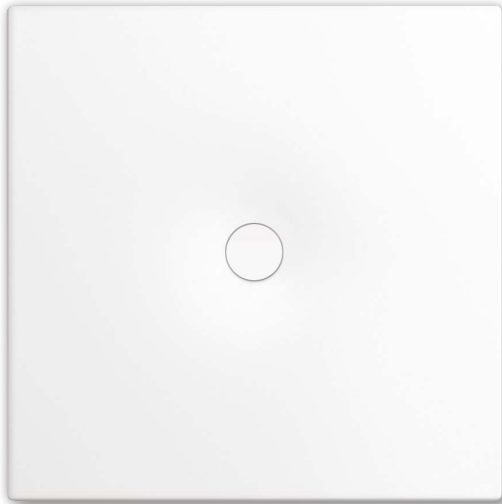


# SCONA

- harmonious design with centrally-placed waste
- can be installed absolutely flush to floor
- also available in the shades of the Coordinated Colours Collection
- made of KALDEWEI steel enamel
- flush-fitting recessed waste cover  
(only in combination with the KA 90 waste fittings)

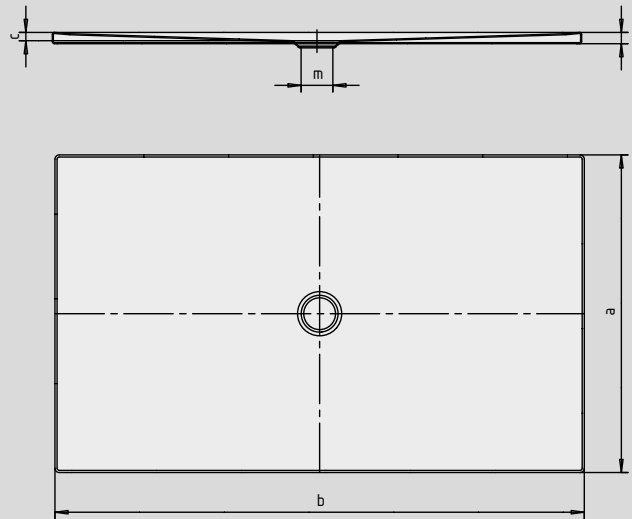


Similar illustration

	Combined Tray & Waste depth	Waste fitting depth
KA 90	103	81
KA 90 extra flat	92	70
KA 90 ultra flat	83	61
KA 90 vertical	49	81

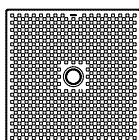
See page 291.

Model 983



SECURE<sup>+</sup>

Model No.	978	979	982	983	984	985	986	987	988	
External length	a	700	750	800	900	1000	700	750	800	900 mm
External width	b	1500	1500	1500	1500	1500	1600	1600	1600	1600 mm
Depth	c	23	23	23	23	23	23	23	23	23 mm
Height of rim	i	32	32	32	32	32	32	32	32	32 mm
Diameter of drain hole	m	90	90	90	90	90	90	90	90	90 mm
Weight of the enamelled shower tray in kg		28	31	33	35	38	28	30	35	36
Anti-slip		492 x 492	492 x 492	492 x 492	492 x 492	492 x 492	492 x 492	492 x 492	492 x 492	492 x 492 mm
Full anti-slip		644 x 1412	692 x 1412	740 x 1412	836 x 1412	932 x 1412	644 x 1508	692 x 1556	740 x 1556	836 x 1556 mm
SECURE PLUS		all-over	all-over	all-over	all-over	all-over	all-over	all-over	all-over	all-over



The TÜV Rheinland confirms the following properties of KALDEWEI's anti-slip, full anti-slip and SECURE PLUS finish:

- Assessment group **B** for wet barefoot areas (**DIN 51097**)
- Assessment group **R 10** for slip-resistant properties in work rooms and areas with an increased risk of slipping (**DIN 51130**)

All SCONA models are available either with anti-slip, full anti-slip or SECURE PLUS.

Model 968 with full anti-slip or SECURE PLUS fits DIN barrier-free 18040-2.