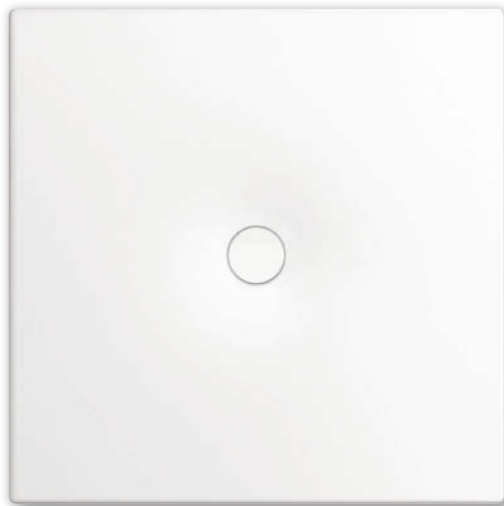


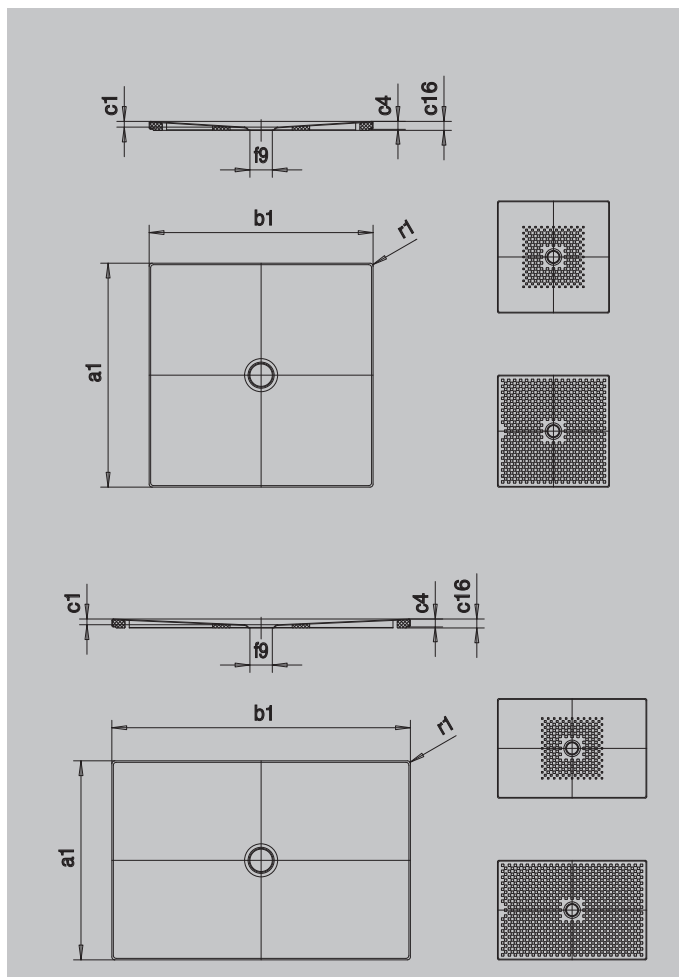
SCONA WITH LOW PROFILE SUPPORT

- harmonious design with centrally-placed waste
- also available in the shades of the Coordinated Colours Collection
- made of KALDEWEI steel enamel
- flush-fitting recessed waste cover (only in combination with the KA 90 waste fittings)



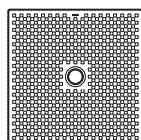
Similar illustration

	Combined Tray & Waste depth	Waste fitting depth
KA 90	103	81
KA 90 extra flat	92	70
KA 90 ultra flat	83	61
KA 90 vertical	49	81



SECURE^[+]

Model		968	969	970	972	974	975	976	919	977
External length	a ₁	1200	800	900	1000	700	750	800	900	1000 mm
External width	b ₁	1200	1300	1300	1300	1400	1400	1400	1400	1400 mm
Internal depth	c ₁	23	23	23	23	23	23	23	23	23 mm
Height of rim	c ₄	32	32	32	32	32	32	32	32	32 mm
Height with low profile support	c ₁₆	37	37	37	37	37	37	37	37	37 mm
Diameter of drain hole	f ₉	90	90	90	90	90	90	90	90	90 mm
External radius	r ₁	12	12	12	12	12	12	12	12	12 mm
Weight of the enamelled shower tray		37	26	30	34	25	27	29	31	35 kg
Anti-slip		492 x 492	492 x 492	492 x 492	492 x 492	492 x 492	492 x 492	492 x 492	492 x 492	492 x 492 mm
Full anti-slip		1172 x 1172	740 x 1220	836 x 1220	932 x 1220	644 x 1316	692 x 1316	740 x 1316	836 x 1316	932 x 1316 mm
SECURE PLUS		all-over	all-over	all-over	all-over	all-over	all-over	all-over	all-over	all-over



The TÜV Rheinland confirms the following properties of KALDEWEI's anti-slip, full anti-slip and SECURE PLUS finish:

- Assessment group **B** for wet barefoot areas (**DIN 51097**)
- Assessment group **R 10** for slip-resistant properties in work rooms and areas with an increased risk of slipping (**DIN 51130**)

All SCONA models are available either with anti-slip, full anti-slip or SECURE PLUS.

Model 968 with full anti-slip or SECURE PLUS fits DIN barrier-free 18040-2.