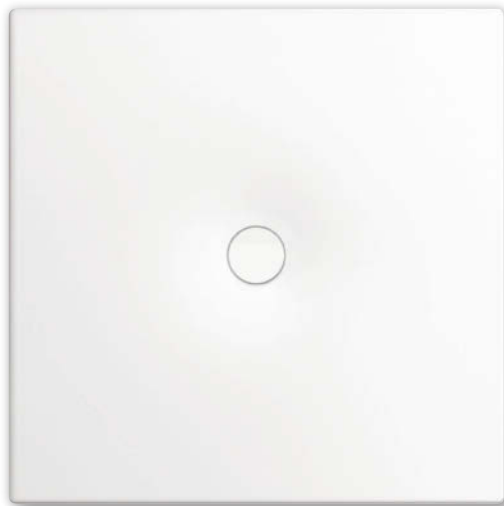


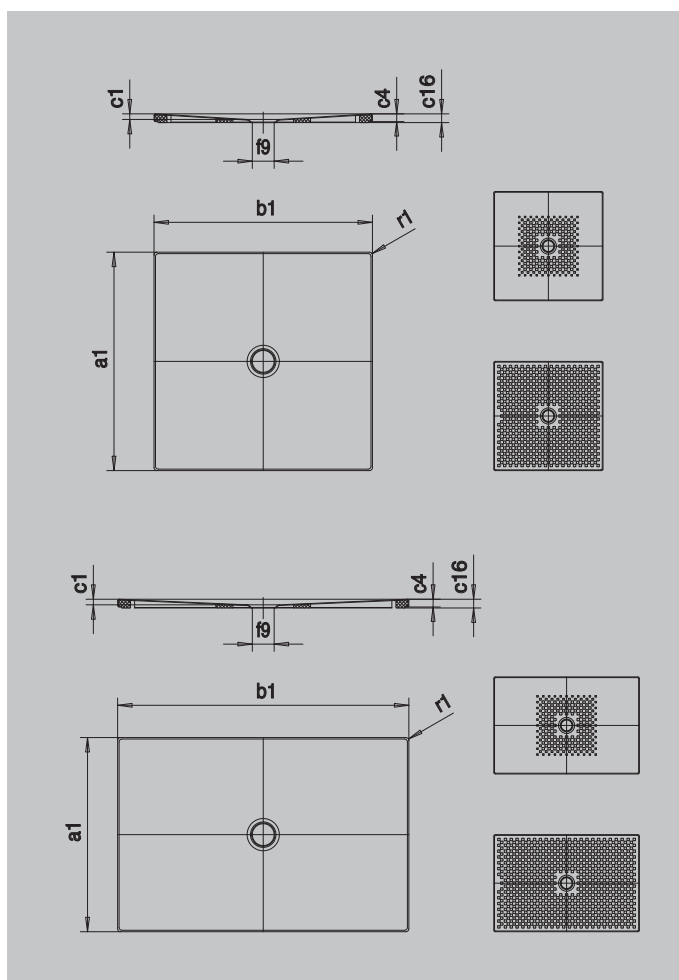
SCONA WITH LOW PROFILE SUPPORT

- harmonious design with centrally-placed waste
- also available in the shades of the Coordinated Colours Collection
- made of KALDEWEI steel enamel
- flush-fitting recessed waste cover (only in combination with the KA 90 waste fittings)



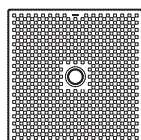
Similar illustration

| | Combined Tray & Waste depth | Waste fitting depth |
|------------------|-----------------------------|---------------------|
| KA 90 | 103 | 81 |
| KA 90 extra flat | 92 | 70 |
| KA 90 ultra flat | 83 | 61 |
| KA 90 vertical | 49 | 81 |



SECURE^[+]

| Model | | 916 | 943 | 963 | 964 | 965 | 966 | 917 | 918 | 967 |
|-------------------------------------|-----------------|-----------|------------|------------|------------|------------|------------|------------|------------|---------------|
| External length | a ₁ | 1000 | 800 | 900 | 1000 | 700 | 750 | 800 | 900 | 1000 mm |
| External width | b ₁ | 1000 | 1100 | 1100 | 1100 | 1200 | 1200 | 1200 | 1200 | 1200 mm |
| Internal depth | c ₁ | 23 | 23 | 23 | 23 | 23 | 23 | 23 | 23 | 23 mm |
| Height of rim | c ₄ | 32 | 32 | 32 | 32 | 32 | 32 | 32 | 32 | 32 mm |
| Height with low profile support | c ₁₆ | 37 | 37 | 37 | 37 | 37 | 37 | 37 | 37 | 37 mm |
| Diameter of drain hole | f ₉ | 90 | 90 | 90 | 90 | 90 | 90 | 90 | 90 | 90 mm |
| External radius | r ₁ | 12 | 12 | 12 | 12 | 12 | 12 | 12 | 12 | 12 mm |
| Weight of the enamelled shower tray | | 26 | 23 | 25 | 27 | 21 | 23 | 25 | 28 | 30 kg |
| Anti-slip | | 492 x 492 | 492 x 492 | 492 x 492 | 492 x 492 | 492 x 492 | 492 x 492 | 492 x 492 | 492 x 492 | 492 x 492 mm |
| Full anti-slip | | 932 x 932 | 740 x 1028 | 836 x 1028 | 932 x 1028 | 644 x 1124 | 692 x 1124 | 740 x 1124 | 836 x 1124 | 932 x 1124 mm |
| SECURE PLUS | | all-over | all-over | all-over | all-over | all-over | all-over | all-over | all-over | all-over |



The TÜV Rheinland confirms the following properties of KALDEWEI's anti-slip, full anti-slip and SECURE PLUS finish:

- Assessment group **B** for wet barefoot areas (**DIN 51097**)
- Assessment group **R 10** for slip-resistant properties in work rooms and areas with an increased risk of slipping (**DIN 51130**)

All SCONA models are available either with anti-slip, full anti-slip or SECURE PLUS.

Model 968 with full anti-slip or SECURE PLUS fits DIN barrier-free 18040-2.