

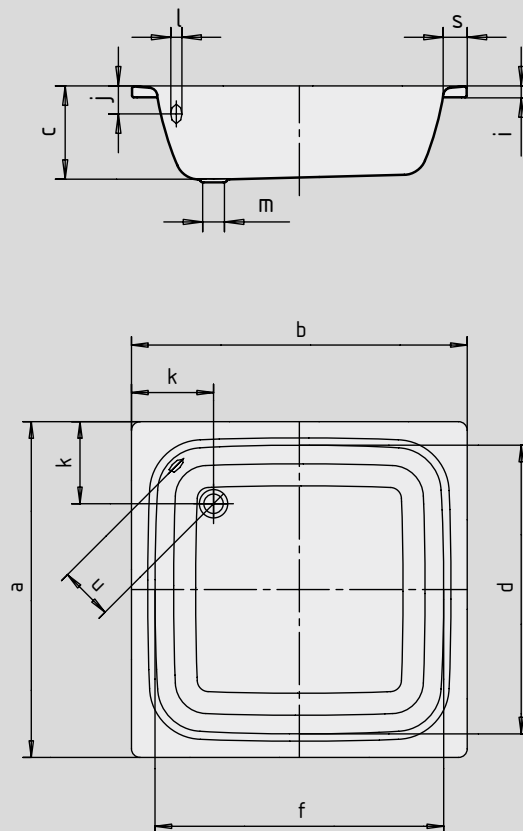
SANIDUSCH

- a classic among shower trays
- modern, clear design
- available in rectangular or square design
- made of KALDEWEI steel enamel



Similar illustration

Model 496



Model No.		558	495	559	496
External length	a	750	800	750	900 mm
External width	b	800	800	900	900 mm
Depth	c	250	250	250	250 mm
Internal length	d	620	670	620	770 mm
Internal width	f	670	670	770	770 mm
Height of rim	i	32	32	32	32 mm
Distance top edge to centre of overflow hole	j	75	75	75	75 mm
Distance bath edge to centre of drain hole	k	220	220	220	220 mm
Diameter of overflow hole	l	52	52	52	52 mm
Diameter of drain hole	m	52	52	52	52 mm
Width of rim	s	65	65	65	65 mm
Distance between centre holes	u	125	125	125	125 mm
Weight of the enamelled shower tray in kg		25	27	30	32
Anti-slip		Ø 289	Ø 289	Ø 289	Ø 435 mm