

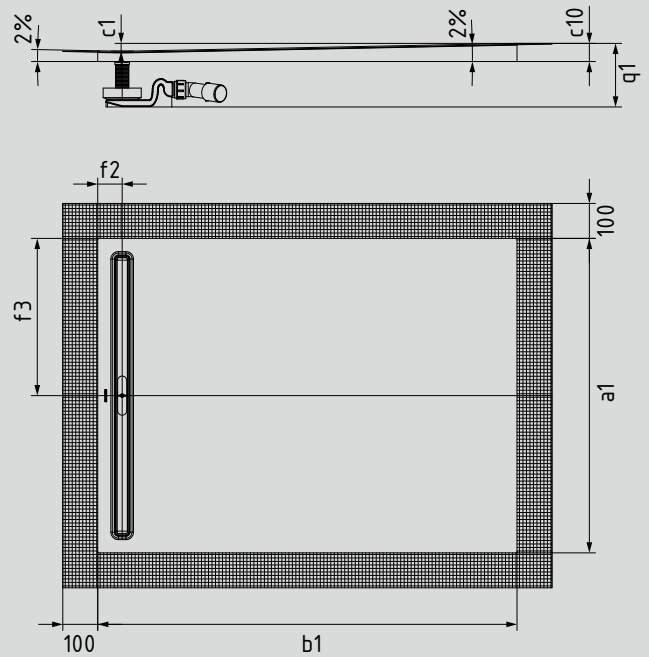
NEXSYS

- Absolutely floor-level shower surface made of KALDEWEI steel enamel
- Design: Absolutely flat surface - no inner contours for a generous standing area and a harmonious bathroom interior.
Discreet waste channel with flush design cover.
- Pre-assembled 4-in-1 system consisting of enamelled shower surface, waste channel, all-round sealing tape, slope support with counter slope between channel and wall. The system is completed by the desired waste fitting incl. hair catcher and an exclusive design cover from the optional extras.
- Accessories included: Sound insulation tape
- Low total height from 86 mm (depending on size and waste fitting)



Similar illustrations

Mod. 2618



Model No.		2612	2615	2617	2618	2619	2623	2624	2626
External length	a1	900	1000	800	900	1000	900	1000	900 mm
External width	b1	900	1000	1200	1200	1200	1400	1400	1600 mm
Internal depth	c1	16	18	22	22	22	26	26	30 mm
Height with support	c10	46	48	52	52	52	56	56	60 mm
Distance tray edge to centre of waste hole	f2	70	70	70	70	70	70	70	70 mm
Distance tray edge to centre of waste hole	f3	450	500	400	450	500	450	500	450 mm
Total height (height with KA 4121 waste fitting)	q1	min. 106	min. 108	min. 112	min. 112	min. 112	min. 116	min. 116	min. 120 mm
		max. 176	max. 178	max. 182	max. 182	max. 182	max. 186	max. 186	max. 190 mm
Total height (height with KA 4122 waste fitting)	q1	86	88	92	92	92	96	96	100 mm