

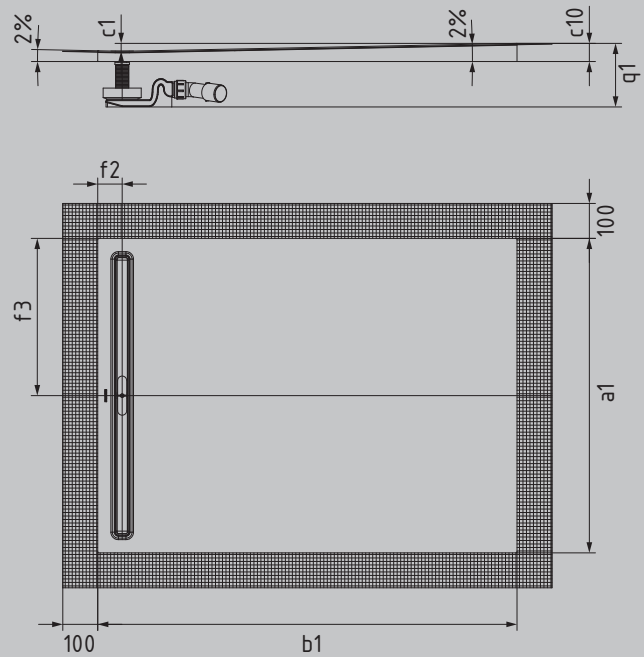
# NEXSYS

- Absolutely floor-level shower surface made of KALDEWEI steel enamel
- Design: Absolutely flat surface - no inner contours for a generous standing area and a harmonious bathroom interior.  
Discreet waste channel with flush design cover.
- Pre-assembled 4-in-1 system consisting of enamelled shower surface, waste channel, all-round sealing tape, slope support with counter slope between channel and wall. The system is completed by the desired waste fitting incl. hair catcher and an exclusive design cover from the optional extras.
- Accessories included: Sound insulation tape
- Low total height from 86 mm (depending on size and waste fitting)



Similar illustrations

Mod. 2618



| Model No.  |        | 2610     | 2611     | 2613     | 2614     | 2616     | 2620        |
|--|--------|----------|----------|----------|----------|----------|-------------|
| External length                                  | a1     | 800      | 800      | 800      | 900      | 900      | 1200 mm     |
| External width                                   | b1     | 800      | 900      | 1000     | 1000     | 1100     | 1200 mm     |
| Internal depth                                   | c1     | 12       | 14       | 16       | 16       | 18       | 20 mm       |
| Height with support                              | c10    | 46       | 46       | 48       | 48       | 50       | 52 mm       |
| Distance tray edge to centre of waste hole       | f2; f3 | 70; 400  | 70; 400  | 70; 400  | 70; 450  | 70; 450  | 70; 600 mm  |
| Weight of the enamelled shower tray in kg        |        | 16       | 18       | 20       | 22       | 24       | 35 kg       |
| Total height (height with KA 4121 waste fitting) | q1     | min. 104 | min. 106 | min. 108 | min. 108 | min. 110 | min. 112 mm |
|  |        | max. 174 | max. 176 | max. 178 | max. 178 | max. 180 | max. 182 mm |
| Total height (height with KA 4122 waste fitting) | q1     | 84       | 86       | 88       | 88       | 90       | 92 mm       |