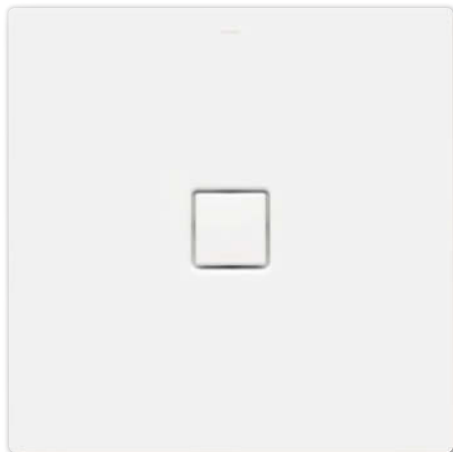


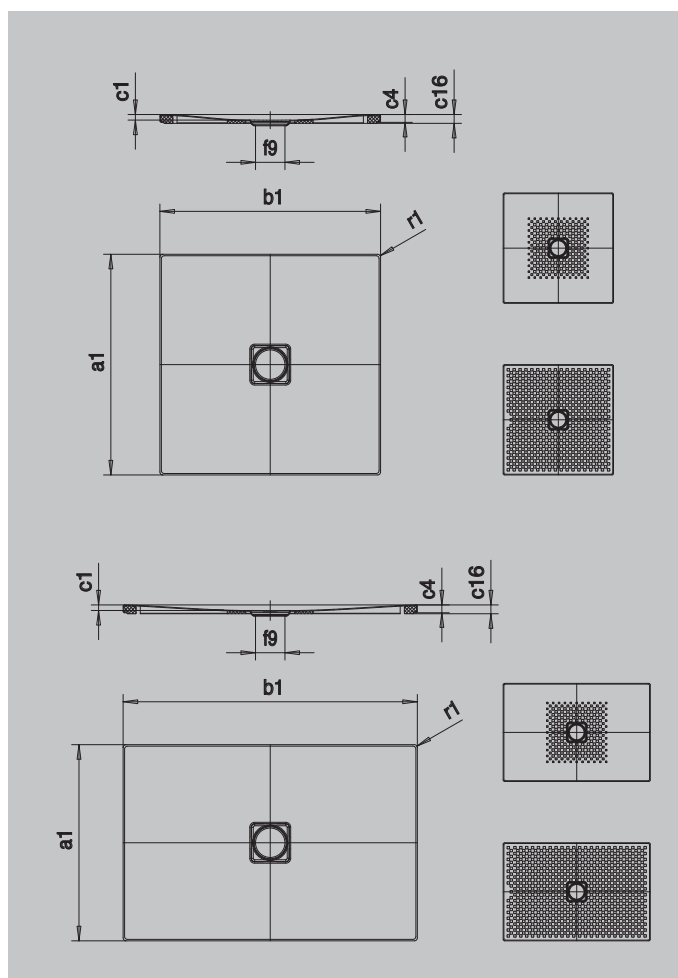
CONOFLAT WITH LOW PROFILE SUPPORT

- straightlined, purist design
- high level of comfort thanks to the flat enamelled waste cover that is flush with the shower area
- can be installed to be absolutely flush with the floor
- Total height (g) with horizontal waste fitting: 107 mm; fitting height incl. cover 83 mm (compared to tiled shower areas)
- made of KALDEWEI steel enamel
- ideally complements the CONODUO bath
- designed by Sottsass Associati
- drainage capacity KA 120: 0,85 l/s
- drainage capacity KA 120 vertical: 1,4 l/s



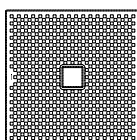
Similar illustration

	Combined Tray & Waste depth	Waste fitting depth
KA 120	107	83
KA 120 vertical	49	83
KA 120 flat	87	63



SECURE^[+]

Model	852	853	780	783	781	
External length	a ₁	800	750	800	900	800 mm
External width	b ₁	800	900	900	900	1000 mm
Internal depth	c ₁	23	23	23	23	23 mm
Height of rim	c ₄	32	32	32	32	32 mm
Height with low profile support	c ₁₆	37	37	37	37	37 mm
Diameter of drain hole	f ₉	∅ 120	∅ 120	∅ 120	∅ 120	∅ 120 mm
External radius	r ₁	12	12	12	12	12 mm
Weight of the enamelled shower tray		17	18	18	21	20 kg
Anti-slip		492 x 492	492 x 492	492 x 492	492 x 492	492 x 492 mm
Full anti-slip		740 x 740	692 x 836	740 x 836	836 x 836	740 x 932 mm
SECURE PLUS		all-over	all-over	all-over	all-over	all-over



The TÜV Rheinland confirms the following properties of KALDEWEI's anti-slip, full anti-slip and SECURE PLUS finish:

- Assessment group **B** for wet barefoot areas (**DIN 51097**)
- Assessment group **R 10** for slip-resistant properties in work rooms and areas with an increased risk of slipping (**DIN 51130**)

All CONOFLAT models are available either with anti-slip, full anti-slip or SECURE PLUS.

Model 790 with Full anti-slip or SECURE PLUS fits DIN barrier-free 18040-2.