

CAYONOPLAN

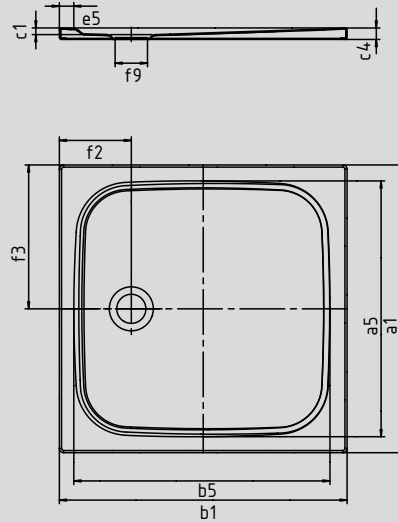
- floor-level shower
- classic design with inner contour
- perfect match for the CAYONO model range
- large standing area with central waste at short side
- made of KALDEWEI steel enamel



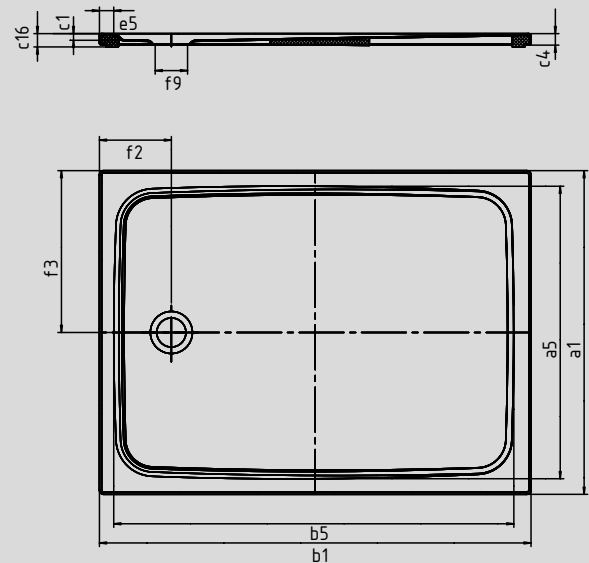
Similar illustration

	Total height	Fitting height
KA 90	98	81
KA 90 extra flat	87	70
KA 90 ultra flat	78	61
KA 90 vertical	49	81

Model 2251

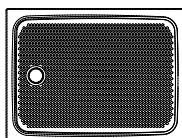


Model 2255 with low profile support



SECURE⁺

Model No.	2262	2263
External length	800	900 mm
Internal length	690	790 mm
External width	1200	1200 mm
Internal width	1090	1090 mm
Internal depth	18	18 mm
Height of rim	32	32 mm
Height with support	37	37 mm
Width of rim	50	50 mm
Distance bath edge to centre of drain hole	200	200 mm
Distance bath edge to centre of drain hole	400	450 mm
Diameter of drain hole	90	90 mm
Weight of the enamelled shower tray in kg	25	29
Anti-slip	375 x 535	375 x 535 mm
Full anti-slip	615 x 1035	695 x 1035 mm
SECURE PLUS	full-surface	full-surface



The German technical inspection association TÜV Rhineland has certified KALDEWEI's anti-slip, full anti-slip and SECURE PLUS finishes as having anti-slip properties compliant with:

- quality class **B** for wet barefoot areas (**DIN 51097**)
- quality class **R 10** for anti-slip characteristics in work spaces and working areas with an increased slip risk (**DIN 51130**)

All CAYONOPLAN models are available with **anti-slip, full anti-slip and SECURE PLUS**