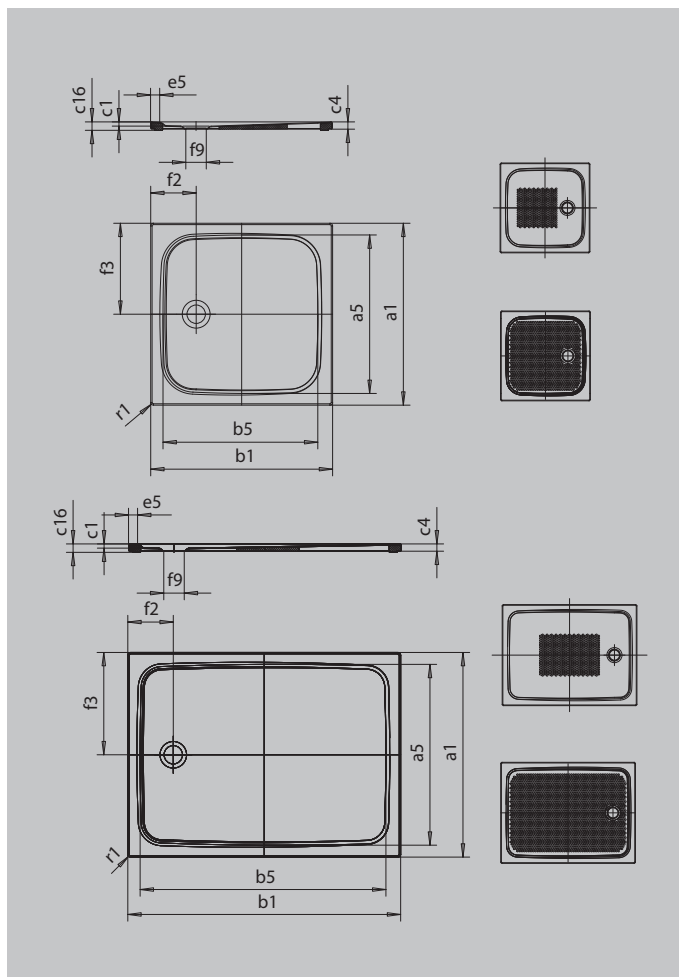


CAYONOPLAN WITH LOW PROFILE SUPPORT

- classic design with inner contour
- perfect match for the CAYONO model range
- large standing area with central waste at short side
- made of KALDEWEI steel enamel



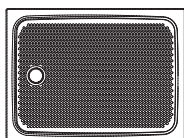
Similar illustration



	Total height	Fitting height
KA 90	98	81
KA 90 extra flat	87	70
KA 90 ultra flat	78	61
KA 90 vertical	49	81

SECURE⁺

Model		2253	2260
External length	a ₁	750	700 mm
Internal length	a ₅	640	590 mm
External width	b ₁	900	1200 mm
Internal width	b ₅	790	1090 mm
Internal depth	c ₁	18	18 mm
Height of rim	c ₄	32	32 mm
Width of rim	e ₅	50	50 mm
Diameter of drain hole	f ₉	Ø 90	Ø 90 mm
Distance bath edge to centre of drain hole	f ₂ ; f ₃	200; 375	200; 350 mm
External radius	r ₁	12	12 mm
Weight of the enamelled shower tray		18	23 kg
Anti-slip		355 x 355	375 x 535 mm
Full anti-slip		575 x 735	495 x 1035 mm
SECURE PLUS		all-over	all-over



The German technical inspection association TÜV Rhineland has certified KALDEWEI's anti-slip, full anti-slip and SECURE PLUS finishes as having anti-slip properties compliant with:

- quality class **B** for wet barefoot areas (**DIN 51097**)
- quality class **R 10** for anti-slip characteristics in work spaces and working areas with an increased slip risk (**DIN 51130**)

All CAYONOPLAN models are available with **anti-slip, full anti-slip and SECURE PLUS**