

SUPERPLAN

- exclusive, elegant design
- with a depth of 0.98 inch extremely flat and ideally suitable for installing flush with the floor
- made of KALDEWEI steel enamel
- IAPMO
- ASME A112.19.1
- CSA B45.2
- ASTM F-462
- ICC / ANSI A117.1 (ADA): Model No. 391, 399, 407



Illustration shows Model 391

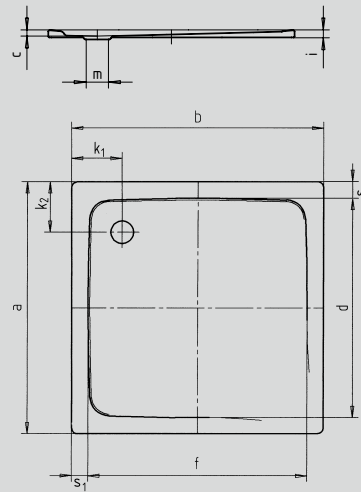
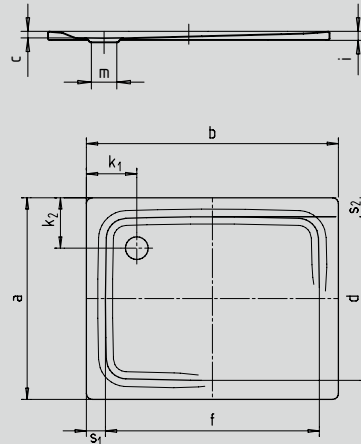


Illustration shows Model 405



		inch	mm	inch	mm	inch	mm	inch	mm	inch	mm	inch	mm	inch	mm	inch	mm
Model No.		391	391	405	405	401	401	403	403	389	389	406	406	407	407	399	399
External length	a	39.37	1000	35.43	900	27.56	700	29.53	750	31.50	800	35.43	900	39.37	1000	47.24	1200
External width	b	39.37	1000	43.31	1100	47.24	1200	47.24	1200	47.24	1200	47.24	1200	47.24	1200	47.24	1200
Depth	c	0.98	25	0.98	25	0.98	25	0.98	25	0.98	25	0.98	25	0.98	25	0.98	25
Internal length	d	34.25	870	31.10	790	23.23	590	25.20	640	27.56	700	31.10	790	35.04	890	42.13	1070
Internal width	f	34.25	870	38.98	990	42.91	1090	42.91	1090	43.31	1100	42.91	1090	42.91	1090	42.13	1070
Height of rim	i	1.26	32	1.26	32	1.26	32	1.26	32	1.26	32	1.26	32	1.26	32	1.26	32
Distance tray edge to centre of drain hole	k ₁ ; k ₂	7.87; 7.87	200; 200	7.87; 7.87	200; 200	7.87; 7.87	200; 200	7.87; 8.86	200; 225	7.87; 7.87	200; 200	7.87; 7.87	200; 200	7.87; 7.87	200; 200	7.87; 7.87	200; 200
Diameter of drain hole	m	3.54	90	3.54	90	3.54	90	3.54	90	3.54	90	3.54	90	3.54	90	3.54	90
Width of rim	s ₁ ; s ₂	1.97; 1.97	50; 50	1.97; 1.97	50; 50	1.97; 1.97	50; 50	1.97; 2.95	50; 75	1.97; 1.97	50; 50	1.97; 1.97	50; 50	1.97; 1.97	50; 50	1.97; 1.97	50; 50
Weight of the enamelled shower tray in lbs		59.52		57.32		50.71		52.91		55.12		63.93		68.34		81.57	