

SUPERPLAN

- exclusive, elegant design
- with a depth of 0.98 inch extremely flat and ideally suitable for installing flush with the floor
- made of KALDEWEI steel enamel
- IAPMO
- ASME A112.19.1
- CSA B45.2
- ASTM F-462



Illustration shows Model 390

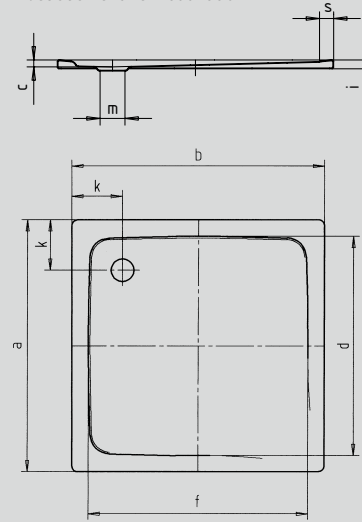
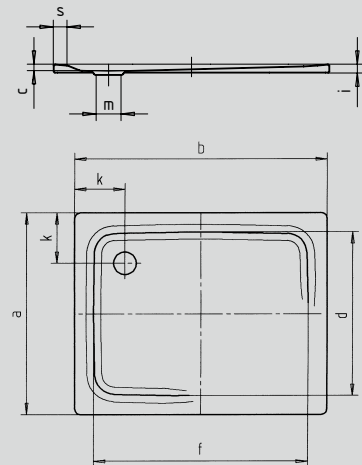


Illustration shows Model 398



Model No.		inch mm		inch mm		inch mm		inch mm		inch mm		inch mm		inch mm			
		386	386	400	400	387	387	388	388	390	390	402	402	398	398	404	404
External length	a	31.50	800	27.56	700	29.53	750	31.50	800	35.43	900	29.53	750	31.50	800	35.43	900
External width	b	31.50	800	35.43	900	35.43	900	35.43	900	35.43	900	39.37	1000	39.37	1000	39.37	1000
Depth	c	0.98	25	0.98	25	0.98	25	0.98	25	0.98	25	0.98	25	0.98	25	0.98	25
Internal length	d	27.17	690	23.62	600	25.59	650	27.56	700	31.10	790	25.20	640	27.56	700	31.10	790
Internal width	f	27.17	690	31.50	800	27.56	700	31.50	800	31.10	790	35.04	890	35.43	900	35.04	890
Height of rim	i	1.26	32	1.26	32	1.26	32	1.26	32	1.26	32	1.26	32	1.26	32	1.26	32
Distance tray edge to centre of drain hole	k	7.87	200	7.87	200	7.87	200	7.87	200	7.87	200	7.87	200	7.87	200	7.87	200
Diameter of drain hole	m	3.54	90	3.54	90	3.54	90	3.54	90	3.54	90	3.54	90	3.54	90	3.54	90
Width of rim	s	1.97	50	1.97	50	1.97	50	1.97	50	1.97	50	2.17	55	1.97	50	1.97	50
Weight of the enamelled shower tray in lbs		39.68		39.68		39.68		41.89		48.50		44.09		46.30		52.91	