

# SUPERPLAN

- exclusive, elegant design
- with a depth of 0.98 inch extremely flat and ideally suitable for installing flush with the floor
- made of KALDEWEI steel enamel
- IAPMO
- ASME A112.19.1
- CSA B45.2
- ASTM F-462
- ICC / ANSI A117.1 (ADA): Model No. 391, 399, 407



Illustration shows Model 391

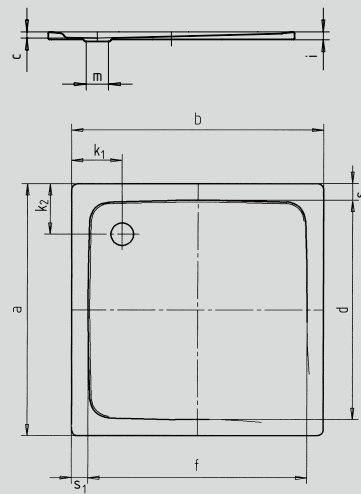
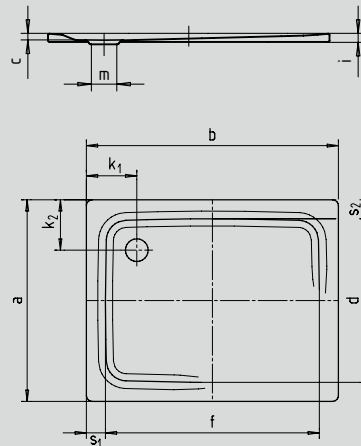


Illustration shows Model 405



		inch	mm	inch	mm	inch	mm	inch	mm	inch	mm	inch	mm	inch	mm	inch	mm
<b>Model No.</b>		<b>391</b>	<b>391</b>	<b>405</b>	<b>405</b>	<b>401</b>	<b>401</b>	<b>403</b>	<b>403</b>	<b>389</b>	<b>389</b>	<b>406</b>	<b>406</b>	<b>407</b>	<b>407</b>	<b>399</b>	<b>399</b>
External length	a	39.37	1000	35.43	900	27.56	700	29.53	750	31.50	800	35.43	900	39.37	1000	47.24	1200
External width	b	39.37	1000	43.31	1100	47.24	1200	47.24	1200	47.24	1200	47.24	1200	47.24	1200	47.24	1200
Depth	c	0.98	25	0.98	25	0.98	25	0.98	25	0.98	25	0.98	25	0.98	25	0.98	25
Internal length	d	34.25	870	31.10	790	23.23	590	25.20	640	27.56	700	31.10	790	35.04	890	42.13	1070
Internal width	f	34.25	870	38.98	990	42.91	1090	42.91	1090	43.31	1100	42.91	1090	42.91	1090	42.13	1070
Height of rim	i	1.26	32	1.26	32	1.26	32	1.26	32	1.26	32	1.26	32	1.26	32	1.26	32
Distance tray edge to centre of drain hole	k <sub>1</sub> ; k <sub>2</sub>	7.87; 7.87	200; 200	7.87; 7.87	200; 200	7.87; 7.87	200; 200	7.87; 8.86	200; 225	7.87; 7.87	200; 200	7.87; 7.87	200; 200	7.87; 7.87	200; 200	7.87; 7.87	200; 200
Diameter of drain hole	m	3.54	90	3.54	90	3.54	90	3.54	90	3.54	90	3.54	90	3.54	90	3.54	90
Width of rim	s <sub>1</sub> ; s <sub>2</sub>	1.97; 1.97	50; 50	1.97; 1.97	50; 50	1.97; 1.97	50; 50	1.97; 2.95	50; 75	1.97; 1.97	50; 50	1.97; 1.97	50; 50	1.97; 1.97	50; 50	1.97; 1.97	50; 50
Weight of the enamelled shower tray in lbs		59.52		57.32		50.71		52.91		55.12		63.93		68.34		81.57	