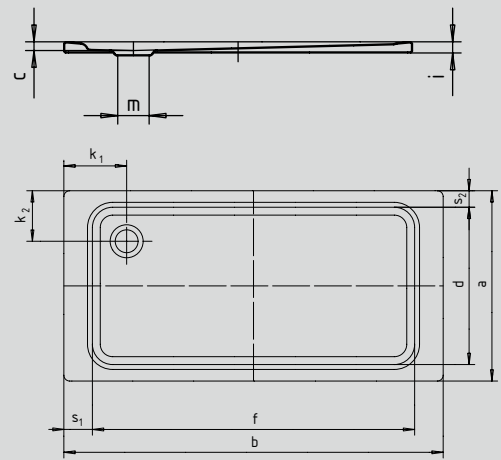


SUPERPLAN XXL

- exclusive, elegant design
- generous dimensions ideal for showering with a friend
- shallow depth ideal for flush fitting and guarantees easy access
- made of KALDEWEI steel enamel
- IAPMO
- ASME A112.19.1
- CSA B45.2
- ASTM F-462
- ICC / ANSI A117.1 (ADA): Model No. 436, 440, 442, 443



Mod. 439, 442, 431, 436, 440, 443



		inch	mm	inch	mm	inch	mm	inch	mm	inch	mm	inch	mm	inch	mm
Model No.		447	447	439	439	442	442	431	431	436	436	440	440	443	443
External length	a	31.50	800	35.43	900	39.37	1000	27.56	700	29.53	750	35.43	900	39.37	1000
External width	b	59.06	1500	59.06	1500	59.06	1500	62.99	1600	62.99	1600	62.99	1600	62.99	1600
Depth	c	1.57	40	1.69	43	1.69	43	1.54	39	1.57	40	1.69	43	1.69	43
Internal length	d	25.20	640	31.10	790	35.04	890	23.23	590	25.59	650	31.10	790	35.04	890
Internal width	f	51.18	1300	50.79	1290	50.79	1290	50.79	1290	50.39	1280	50.39	1280	50.39	1280
Height of rim	i	1.26	32	1.26	32	1.26	32	1.26	32	1.26	32	1.26	32	1.26	32
Distance tray edge to centre of drain hole	k ₁ ; k ₂	9.84; 8.86	250; 225	9.84; 7.87	250; 200	9.84; 7.87	250; 200	11.81; 7.87	300; 200	11.81; 7.87	300; 200	11.81; 7.87	300; 200	11.81; 7.87	300; 200
Diameter of drain hole	m	3.54	90	3.54	90	3.54	90	3.54	90	3.54	90	3.54	90	3.54	90
Width of rim	s ₁ ; s ₂	3.94; 2.95	100; 75	3.94; 1.97	100; 50	3.94; 1.97	100; 50	5.91; 1.97	150; 50	5.91; 1.97	150; 50	5.91; 1.97	150; 50	5.91; 1.97	150; 50
Weight of the enamelled shower tray in lbs		68.34		77.16		83.78		63.93		68.34		81.57		90.39	

Subject to technical alterations, tolerances and errors. Similar illustration.

KALDEWEI