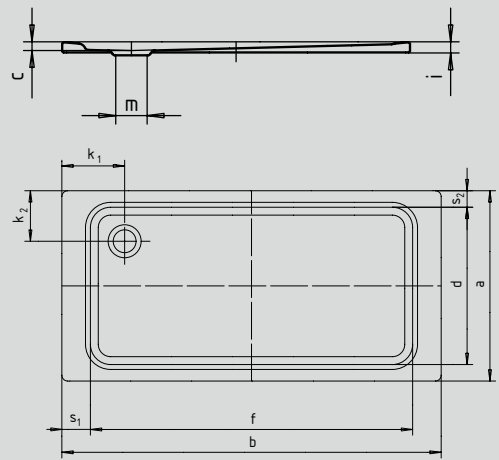


# SUPERPLAN XXL

- exclusive, elegant design
- generous dimensions ideal for showering with a friend
- shallow depth ideal for flush fitting and guarantees easy access
- made of KALDEWEI steel enamel
- IAPMO
- ASME A112.19.1
- CSA B45.2
- ASTM F-462
- ICC / ANSI A117.1 (ADA): Model No. 436, 440, 442, 443



Mod. 439, 442, 431, 436, 440, 443



		inch	mm	inch	mm	inch	mm	inch	mm	inch	mm	inch	mm	inch	mm
<b>Model No.</b>		<b>447</b>	<b>447</b>	<b>439</b>	<b>439</b>	<b>442</b>	<b>442</b>	<b>431</b>	<b>431</b>	<b>436</b>	<b>436</b>	<b>440</b>	<b>440</b>	<b>443</b>	<b>443</b>
External length	a	31.50	800	35.43	900	39.37	1000	27.56	700	29.53	750	35.43	900	39.37	1000
External width	b	59.06	1500	59.06	1500	59.06	1500	62.99	1600	62.99	1600	62.99	1600	62.99	1600
Depth	c	1.57	40	1.69	43	1.69	43	1.54	39	1.57	40	1.69	43	1.69	43
Internal length	d	25.20	640	31.10	790	35.04	890	23.23	590	25.59	650	31.10	790	35.04	890
Internal width	f	51.18	1300	50.79	1290	50.79	1290	50.79	1290	50.39	1280	50.39	1280	50.39	1280
Height of rim	i	1.26	32	1.26	32	1.26	32	1.26	32	1.26	32	1.26	32	1.26	32
Distance tray edge to centre of drain hole	k <sub>1</sub> ; k <sub>2</sub>	9.84; 8.86	250; 225	9.84; 7.87	250; 200	9.84; 7.87	250; 200	11.81; 7.87	300; 200	11.81; 7.87	300; 200	11.81; 7.87	300; 200	11.81; 7.87	300; 200
Diameter of drain hole	m	3.54	90	3.54	90	3.54	90	3.54	90	3.54	90	3.54	90	3.54	90
Width of rim	s <sub>1</sub> ; s <sub>2</sub>	3.94; 2.95	100; 75	3.94; 1.97	100; 50	3.94; 1.97	100; 50	5.91; 1.97	150; 50	5.91; 1.97	150; 50	5.91; 1.97	150; 50	5.91; 1.97	150; 50
Weight of the enamelled shower tray in lbs		68.34		77.16		83.78		63.93		68.34		81.57		90.39	

Subject to technical alterations, tolerances and errors. Similar illustration.

**KALDEWEI**