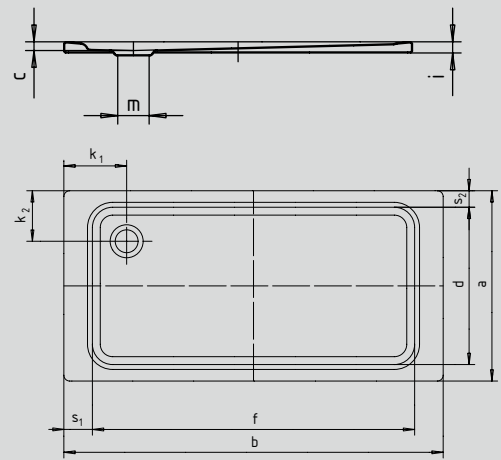


# SUPERPLAN XXL

- exclusive, elegant design
- generous dimensions ideal for showering with a friend
- shallow depth ideal for flush fitting and guarantees easy access
- made of KALDEWEI steel enamel
- IAPMO
- ASME A112.19.1
- CSA B45.2
- ASTM F-462
- ICC / ANSI A117.1 (ADA): Model No. 430, 437, 441, 444, 445



Mod. 437, 441



		inch	mm	inch	mm	inch	mm	inch	mm	inch	mm	inch	mm	inch	mm
<b>Model No.</b>		<b>409</b>	<b>409</b>	<b>411</b>	<b>411</b>	<b>430</b>	<b>430</b>	<b>444</b>	<b>444</b>	<b>437</b>	<b>437</b>	<b>441</b>	<b>441</b>	<b>445</b>	<b>445</b>
External length	a	27.56	700	29.53	750	35.43	900	39.37	1000	31.50	800	35.43	900	39.37	1000
External width	b	66.93	1700	66.93	1700	66.93	1700	66.93	1700	70.87	1800	70.87	1800	70.87	1800
Depth	c	1.85	47	1.85	47	2.01	51	2.01	51	1.85	47	2.01	51	2.01	51
Internal length	d	23.23	590	25.20	640	31.10	790	31.10	790	25.20	640	31.10	790	31.10	790
Internal width	f	62.60	1590	62.60	1590	62.60	1590	62.60	1590	62.20	1580	62.20	1580	62.20	1580
Height of rim	i	1.26	32	1.26	32	1.26	32	1.26	32	1.26	32	1.26	32	1.26	32
Distance tray edge to centre of drain hole	k <sub>1</sub> ; k <sub>2</sub>	7.87; 7.87	200; 200	7.87; 7.87	200; 200	7.87; 7.87	200; 200	7.87; 9.84	200; 250	8.86; 9.84	225; 250	9.84; 7.87	250; 200	9.84; 9.84	250; 250
Diameter of drain hole	m	3.54	90	3.54	90	3.54	90	3.54	90	3.54	90	3.54	90	3.54	90
Width of rim	s <sub>1</sub> ; s <sub>2</sub>	1.97; 1.97	50; 50	1.97; 1.97	50; 50	1.97; 1.97	50; 50	1.97; 3.94	50; 100	3.94; 2.95	100; 75	3.94; 1.97	100; 50	3.94; 3.94	100; 100
Weight of the enamelled shower tray in lbs		70.55		72.75		88.18		97.00		81.57		92.59		103.62	