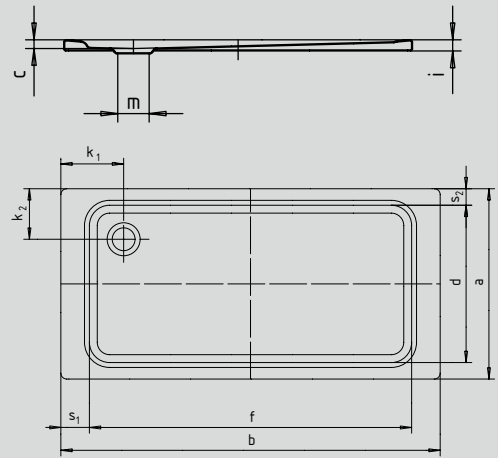


SUPERPLAN XXL

- exclusive, elegant design
- generous dimensions ideal for showering with a friend
- shallow depth ideal for flush fitting and guarantees easy access
- made of KALDEWEI steel enamel
- IAPMO
- ASME A112.19.1
- CSA B45.2
- ASTM F-462
- ICC / ANSI A117.1 (ADA): Model No. 412



Mod. 433, 435, 438



		inch	mm	inch	mm	inch	mm	inch	mm	inch	mm	inch	mm	inch	mm
Model No.		438	438	408	408	410	410	429	429	412	412	433	433	435	435
External length	a	35.43	900	27.56	700	29.53	750	35.43	900	39.37	1000	27.56	700	29.53	750
External width	b	51.18	1300	55.12	1400	55.12	1400	55.12	1400	55.12	1400	59.06	1500	59.06	1500
Depth	c	0.98	25	1.54	39	1.57	40	1.69	43	1.69	43	1.54	39	1.57	40
Internal length	d	31.10	790	23.23	590	25.20	640	31.10	790	35.04	890	23.23	590	25.59	650
Internal width	f	46.85	1190	50.79	1290	51.18	1300	50.79	1290	50.79	1290	50.79	1290	50.79	1290
Height of rim	i	1.26	32	1.26	32	1.26	32	1.26	32	1.26	32	1.26	32	1.26	32
Distance tray edge to centre of drain hole	k ₁ ; k ₂	9.84; 7.87	250; 200	7.87; 7.87	200; 200	7.87; 7.87	200; 200	7.87; 7.87	200; 200	7.87; 7.87	200; 200	9.84; 7.87	250; 200	9.84; 7.87	250; 200
Diameter of drain hole	m	3.54	90	3.54	90	3.54	90	3.54	90	3.54	90	3.54	90	3.54	90
Width of rim	s ₁ ; s ₂	3.94; 1.97	100; 50	1.97; 1.97	50; 50	1.97; 1.97	50; 50	1.97; 1.97	50; 50	1.97; 1.97	50; 50	3.94; 1.97	100; 50	3.94; 1.97	100; 50
Weight of the enamelled shower tray in lbs		68.34		57.32		61.73		72.75		79.37		59.52		66.14	

Subject to technical alterations, tolerances and errors. Similar illustration.

KALDEWEI