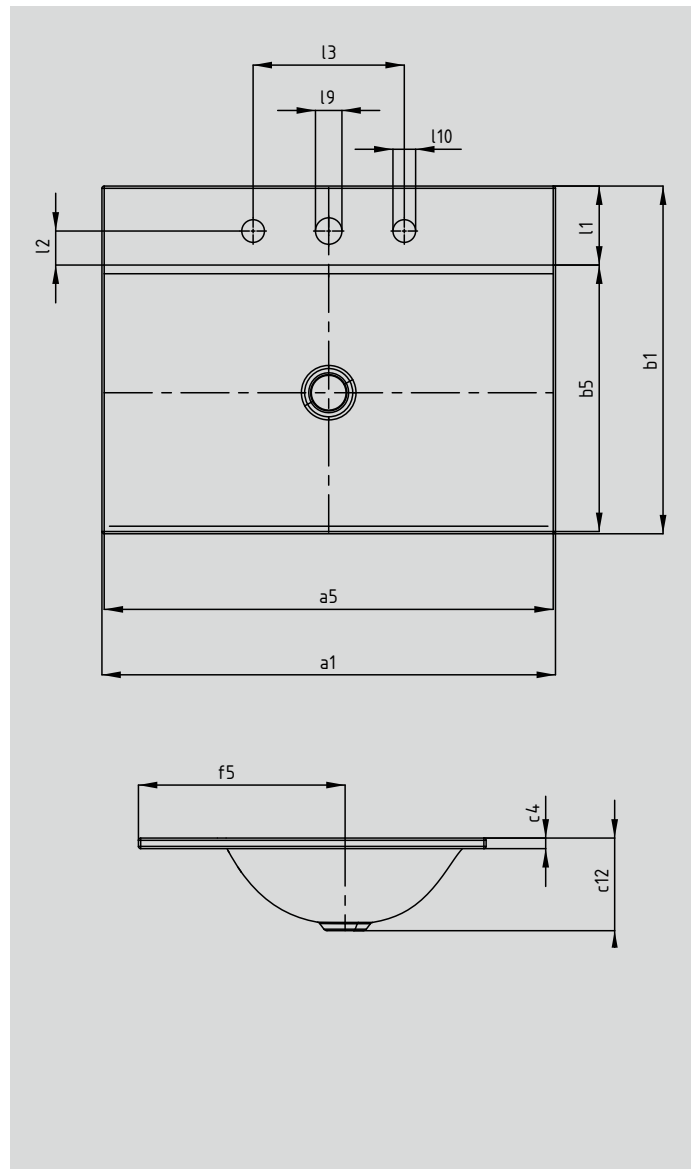


SILENIO BUILT-IN WASHBASIN

- the flowing, soft design of the washbasin is underlined by a low lip for virtually flush mounting on the console or furniture
- generous space for fittings and individual accessories
- Made of KALDEWEI steel enamel
- designed by Anke Salomon



Model No.		inch	mm	inch	mm	inch	mm
		3037	3037	3038	3038	3039	3039
External length	a ₁	23.62	600	35.43	900	47.24	1200
External width	b ₁	18.11	460	18.11	460	18.11	460
Internal length	a ₅	23.39	594	35.20	894	47.01	1194
Internal width	b ₅	13.88	352.5	13.88	352.5	13.88	352.5
Depth of tap deck	l ₁	4.11	104.5	4.11	104.5	4.11	104.5
Distance tap holes to edge	l ₂	1.77	45	1.77	45	1.77	45
Height of rim	c ₄	0.55	14	0.55	14	0.55	14
Distance basin surface to bottom edge of waste hole	c ₁₂	4.84	123	4.84	123	4.84	123
Distance outer edge to centre of waste hole	f ₅	10.76	273.4	10.76	273.4	10.76	273.4
Distance of outer tap holes (3 tap holes)	l ₃	7.87	200	7.87	200	7.87	200
Weight of the enamelled washbasin in lbs		15.52		22.95		30.27	