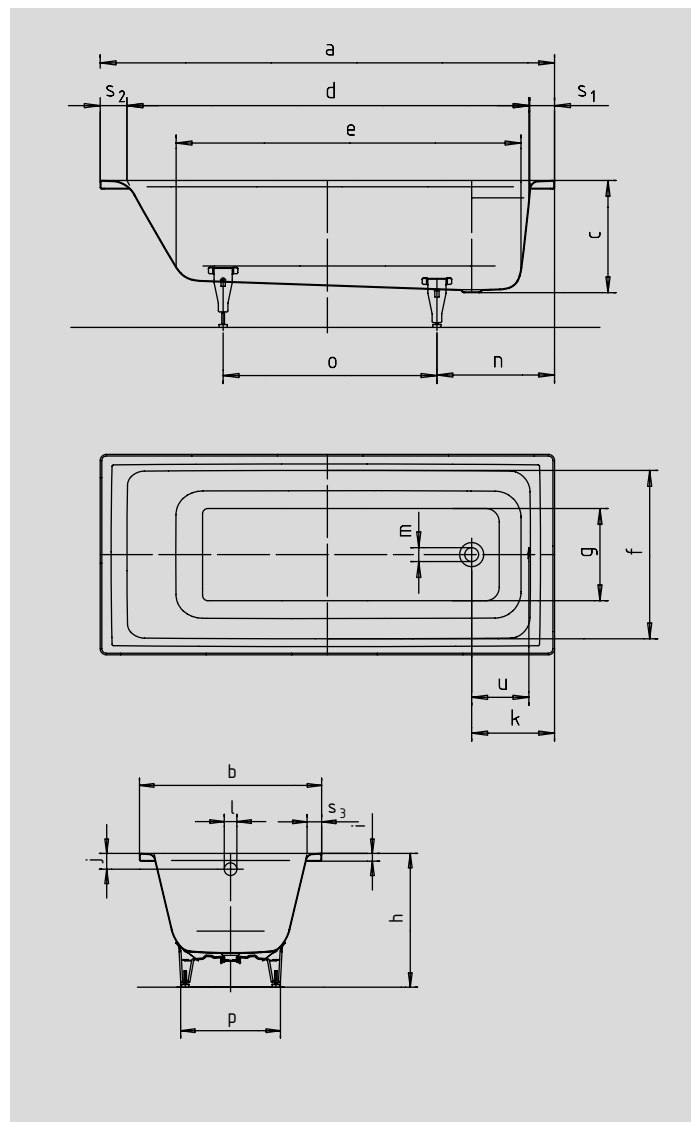


PURO

- straightlined, purist design
- one-seater bathtub with outlet at foot end
- classic four-cornered model
- made of KALDEWEI steel enamel
- IAPMO
- ASME A112.19.1
- CSA B45.2
- ASTM F-462
- Uniform Plumbing Code (UPC)
- National Plumbing Code (NPC)
- International Plumbing Code (IPC)



* Feet kit is an optional accessory

		inch	inch	inch	inch	inch
Model No.		683	687	652	691	653
External length	a	62.99	66.93	66.93	66.93	70.87
External width	b	27.56	27.56	29.53	31.50	31.50
Depth	c	16.54	16.54	16.54	16.54	16.54
Internal length (top)	d	55.51	59.45	59.45	59.45	63.39
Internal length (bottom)	e	46.46	50.39	50.39	50.39	54.33
Internal width (top)	f	22.83	22.83	24.41	26.77	26.38
Internal width (bottom)	g	16.14	16.14	18.11	18.11	15.55
Height with feet	h	21.73-22.52	21.85-22.24	21.81-22.36	21.73-22.24	21.77-22.17
Height of rim	i	1.26	1.26	1.26	1.26	1.26
Distance top edge to centre of overflow hole	j	2.56	2.56	2.56	2.56	2.56
Distance tub edge (foot) to centre of drain hole	k	12.20	12.20	12.20	12.20	12.20
Diameter of overflow hole	l	2.48	2.48	2.48	2.48	2.48
Diameter of drain hole	m	2.05	2.05	2.05	2.05	2.05
Distance foot end of tub edge to centre of foot	n	17.13	17.52	17.52	17.52	18.11
Distance between the feet	o	27.76	29.72	29.53	29.72	32.28
Max. width of feet	p	16.17	16.54	18.50	18.90	20.47
Width of rim	s ₁ ; s ₂ ; s ₃	3.54; 3.94; 2.36	3.54; 3.94; 2.36	3.54; 3.94; 2.36	3.54; 3.94; 3.35	3.54; 3.94; 2.36
Distance between centre holes	u	8.43	8.43	23.39	8.43	23.39
Water volume** in gallons		27.73	23.23	36.18	37.25	43.58
Weight of the enamelled bath tub in lbs		101.41	108.03	110.23	116.84	119.05

Subject to technical alterations and tolerances.
 ** 18.49 gallons displacement on average.

KALDEWEI