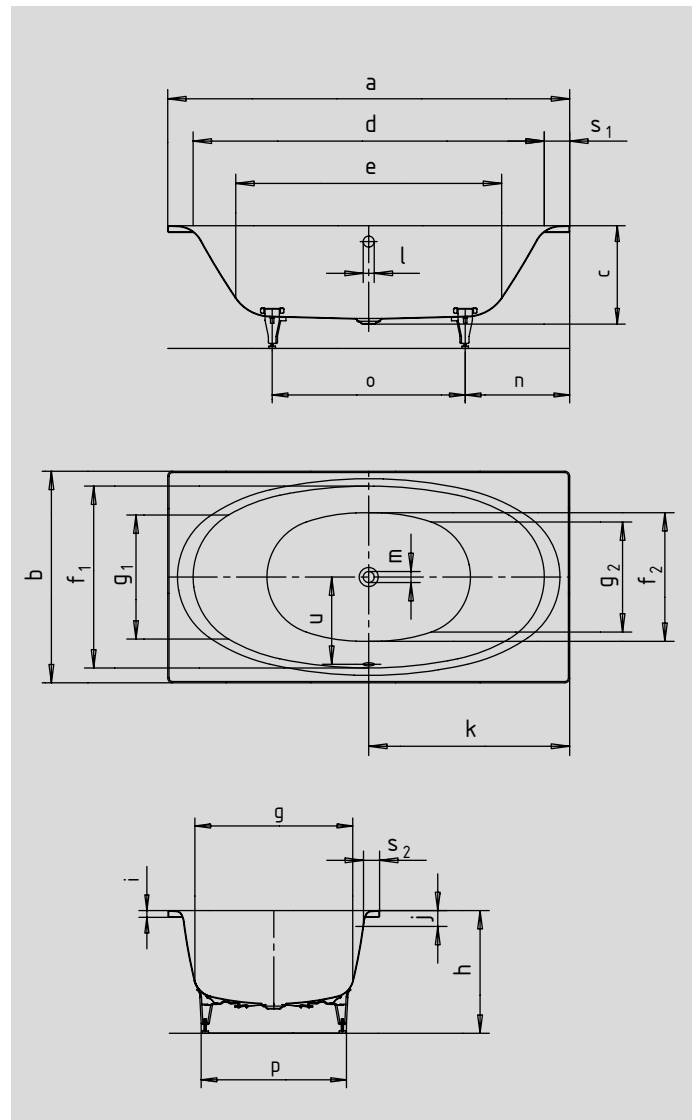


# LUX XO DUO

- gently shaped shoulder rest for more pleasure and comfort
- bathing with a friend: two identical sloping back rests and centrally positioned outlet
- classic rectangular model
- made of KALDEWEI steel enamel
- enamelled waste cover integrated in the bath design
- IAPMO
- ASME A112.19.1
- CSA B45.2
- ASTM F-462
- Uniform Plumbing Code (UPC)
- National Plumbing Code (NPC)
- International Plumbing Code (IPC)



\* Feet kit is an optional accessory

		inch
<b>Model No.</b>		<b>230</b>
External length	a	74.80
External width	b	39.37
Depth	c	18.31
Internal length (top)	d	65.35
<b>Internal length (bottom)</b>	<b>e</b>	<b>49.61</b>
Internal width (top)	f <sub>1</sub> ; f <sub>2</sub>	33.86; 24.02
Internal width (bottom)	g <sub>1</sub> ; g <sub>2</sub>	23.03; 20.47
Height with feet	h	22.24-23.43
Height of rim	i	1.26
Distance top edge to centre of overflow hole	j	2.95
Distance tub edge to centre of drain hole	k	37.40
Diameter of overflow hole	l	2.05
Diameter of drain hole	m	2.05
Distance foot end of tub edge to centre of foot	n	23.03
Distance between the feet	o	28.74
Max. width of feet	p	24.41
Width of rim (foot end; lengthwise)	s <sub>1</sub> ; s <sub>2</sub>	4.72; 2.56
Distance between centre holes	u	16.57
Water volume** in gallons		56.52
Weight of the enamelled bath tub in lbs		130.07

Subject to technical alterations and tolerances.  
 \*\* 18.49 gallons displacement on average.

**KALDEWEI**