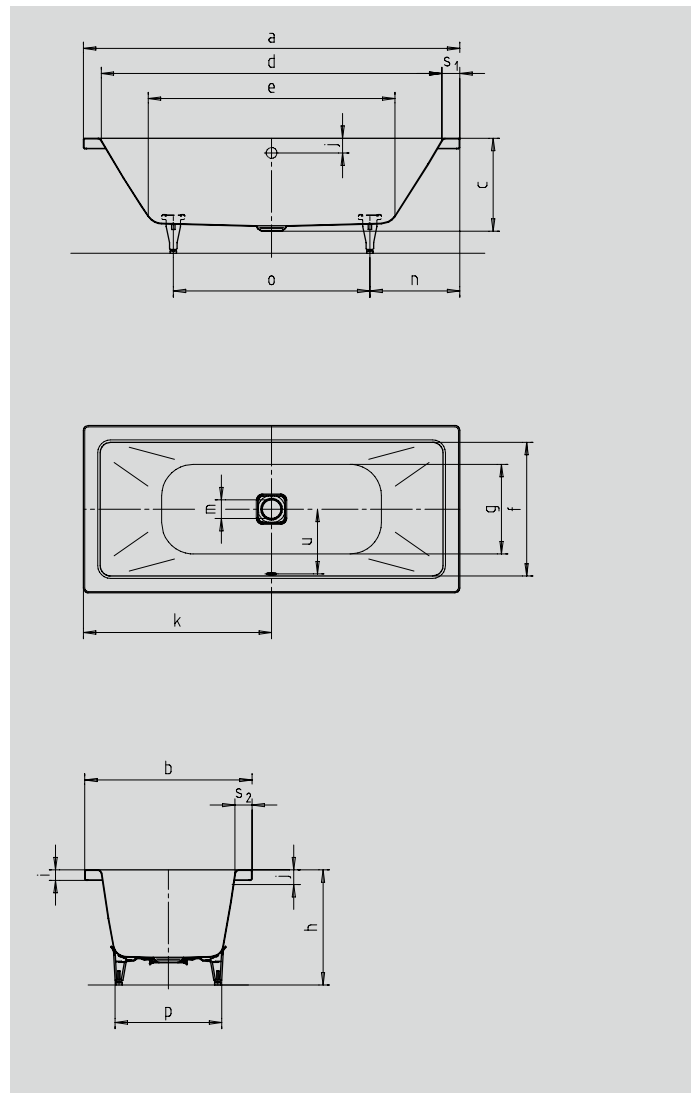


CONODUO

- straightlined, purist design
- enamelled waste cover integrated in the bath design
- bathing with a friend: two identical back rests and centrally positioned outlet
- classic four-cornered model
- made of KALDEWEI steel enamel
- IAPMO
- ASME A112.19.1
- CSA B45.2
- ASTM F-462
- Uniform Plumbing Code (UPC)
- National Plumbing Code (NPC)
- International Plumbing Code (IPC)



* Feet kit is an optional accessory

		inch	mm	inch	mm	inch	mm	inch	mm
Model No.		732	732	733	733	734	734	735	735
External length	a	66.93	1700	70.87	1800	74.80	1900	78.74	2000
External width	b	29.53	750	31.50	800	35.43	900	39.37	1000
Depth	c	17.52	445	17.52	445	17.52	445	17.52	445
Internal length (top)	d	60.63	1540	64.57	1640	68.50	1740	70.87	1800
Internal length (bottom)	e	42.52	1080	46.46	1180	50.39	1280	52.76	1340
Internal width (top)	f	23.23	590	25.20	640	29.13	740	31.50	800
Internal width (bottom)	g	18.50	470	20.47	520	24.41	620	26.77	680
Height with feet	h	22.24-23.62	565-600	21.85-23.23	555-590	22.24-23.62	565-600	21.85-23.23	555-590
Height of rim	i	1.97	50	1.97	50	1.97	50	1.97	50
Distance top edge to centre of overflow hole	j	2.76	70	2.76	70	2.76	70	2.76	70
Distance tub edge to centre of drain hole	k	33.46	850	35.43	900	37.40	950	39.37	1000
Diameter of overflow hole	l	2.05	52	2.05	52	2.05	52	2.05	52
Diameter of drain hole	m	3.54	90	3.54	90	3.54	90	3.54	90
Distance foot end of tub edge to centre of foot	n	21.85	555	21.85	555	22.44	570	24.41	620
Distance between the feet	o	23.23	590	27.17	690	29.92	760	29.92	760
Max. width of feet	p	17.52	445	20.28	515	24.02	610	26.57	675
Width of rim (foot end; lengthwise)	s ₁ ; s ₂	3.15; 3.15	80; 80	3.15; 3.15	80; 80	3.15; 3.15	80; 80	3.94; 3.94	100; 100
Distance between centre holes	u	11.22	285	12.20	310	14.17	360	15.35	390
Water volume** in gallons		32.23		42.00		58.18		68.68	
Weight of the enamelled bath tub in lbs		114.64		125.66		145.51		165.35	

Subject to technical alterations and tolerances.
 ** 18.49 gallons displacement on average.

KALDEWEI