

# CAYONOPLAN

- floor-level shower
- classic design with inner contour
- perfect match for the CAYONO model range
- large standing area with central waste at short side
- made of KALDEWEI steel enamel
- IAPMO
- ASME A112.19.1
- CSA B45.2
- ASTM F-462
- ICC / ANSI A117.1 (ADA): Model No. 2276



Illustration shows Model 2266

Model 2266

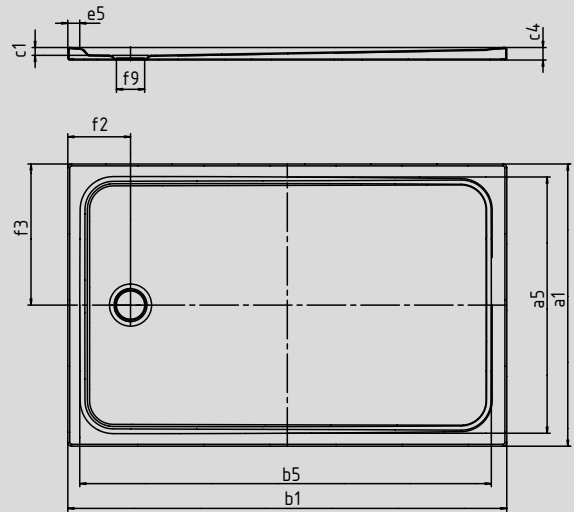
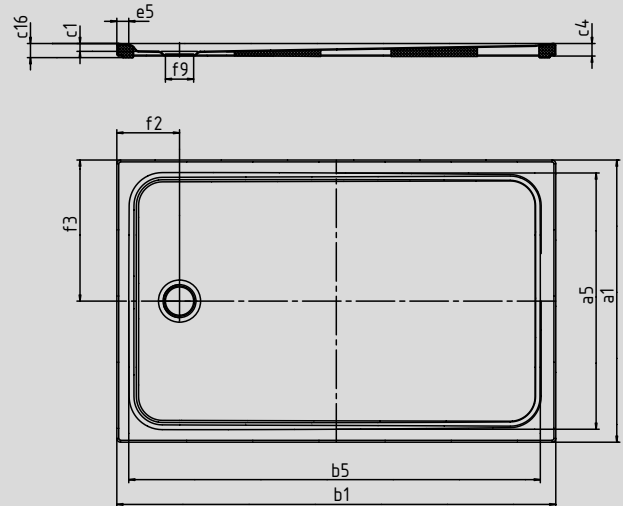


Illustration shows Model 2266 with low profile support



		inch	inch	inch
Model No.		2276	2278	2279
External length	a <sub>1</sub>	31.50	27.56	29.53
Internal length	a <sub>5</sub>	27.17	23.23	25.20
External width	b <sub>1</sub>	62.99	66.93	66.93
Internal width	b <sub>5</sub>	58.66	62.60	62.60
Internal depth	c <sub>1</sub>	0.98	0.98	0.98
Height of rim	c <sub>4</sub>	1.57	1.57	1.57
Height with support	c <sub>16</sub>	1.77	1.77	1.77
Width of rim	e <sub>5</sub>	1.97	1.97	1.97
Distance bath edge to centre of drain hole	f <sub>2</sub>	7.87	7.87	7.87
Distance bath edge to centre of drain hole	f <sub>3</sub>	15.75	13.78	14.76
Diameter of drain hole	f <sub>9</sub>	3.54	3.54	3.54
Weight of the enamelled shower tray in lbs		1.26	1.14	1.32