

CAYONOPLAN

- floor-level shower
- classic design with inner contour
- perfect match for the CAYONO model range
- large standing area with central waste at short side
- made of KALDEWEI steel enamel
- IAPMO
- ASME A112.19.1
- CSA B45.2
- ASTM F-462



Illustration shows Model 2266

Model 2266

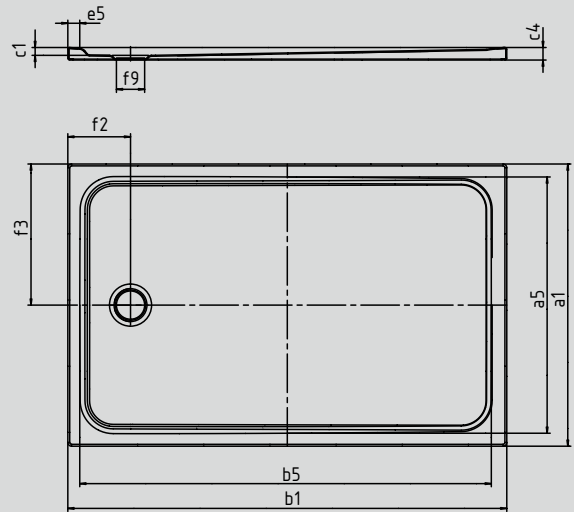
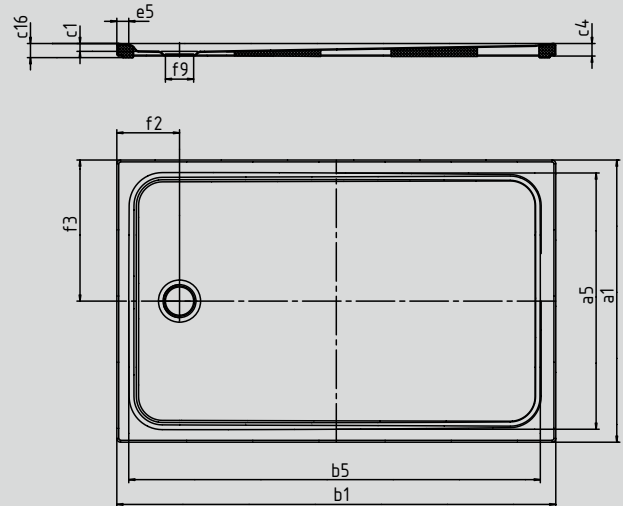


Illustration shows Model 2266 with low profile support



Model No.		inch		mm		inch		mm	
		2270	2270	2271	2271	2272	2272	2275	2275
External length	a ₁	29,53	750	31,50	800	35,43	900	29,53	750
Internal length	a ₅	25,20	640	27,17	690	31,10	790	25,20	640
External width	b ₁	59,06	1500	59,06	1500	59,06	1500	62,99	1600
Internal width	b ₅	54,72	1390	54,72	1390	54,72	1390	58,66	1490
Internal depth	c ₁	0,98	25	0,98	25	0,98	25	0,98	25
Height of rim	c ₄	1,57	40	1,57	40	1,57	40	1,57	40
Height with support	c ₁₆	1,77	45	1,77	45	1,77	45	1,77	45
Width of rim	e ₅	1,97	50	1,97	50	1,97	50	1,97	50
Distance bath edge to centre of drain hole	f ₂	7,87	200	7,87	200	7,87	200	7,87	200
Distance bath edge to centre of drain hole	f ₃	14,76	375	15,75	400	17,72	450	14,76	375
Diameter of drain hole	f ₉	3,54	90	3,54	90	3,54	90	3,54	90
Weight of the enamelled shower tray in lbs		1,18	30	1,26	32	1,42	36	1,22	31